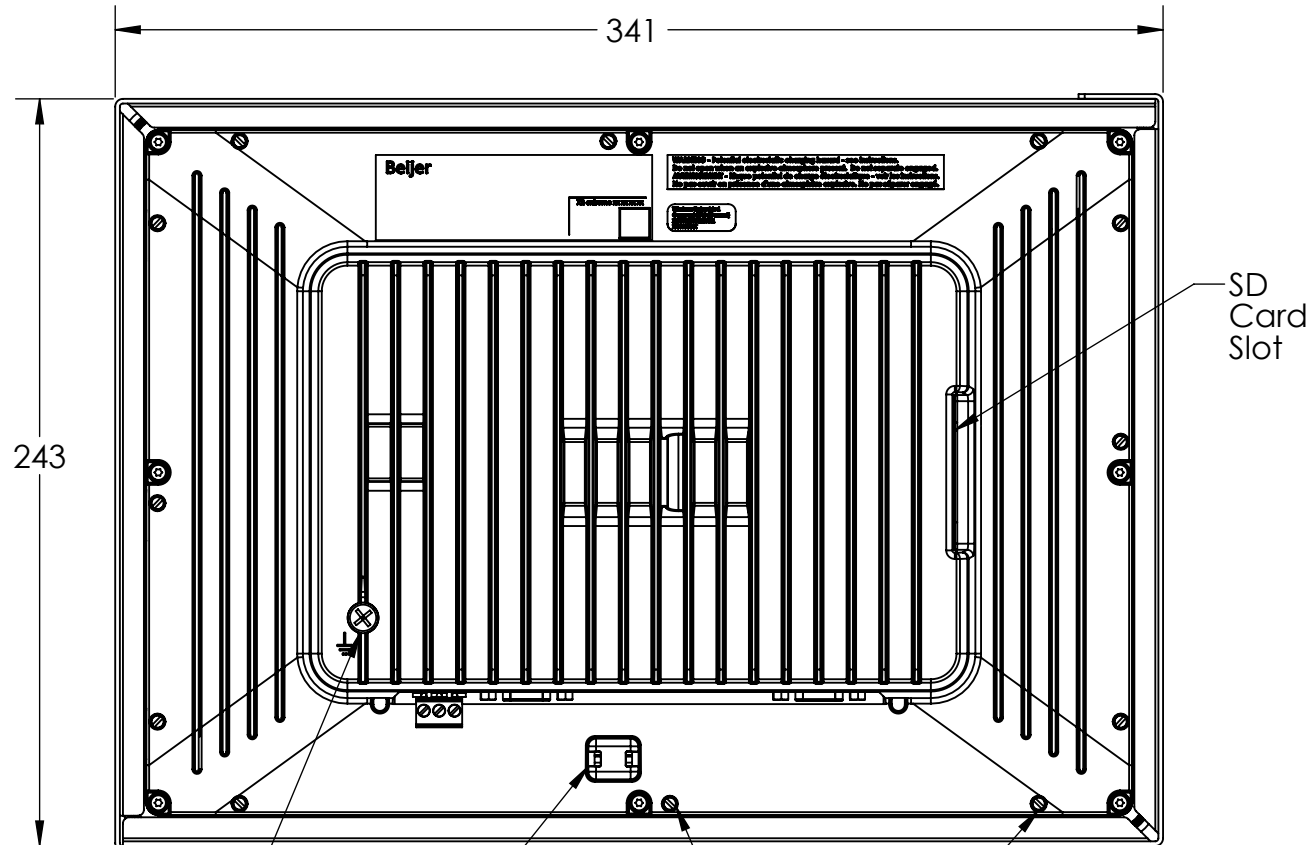
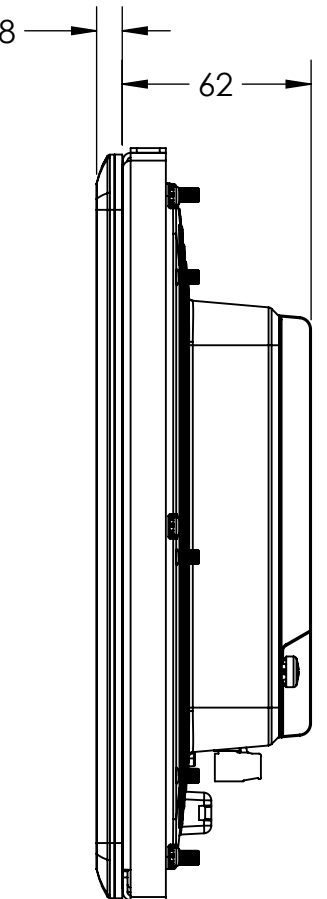
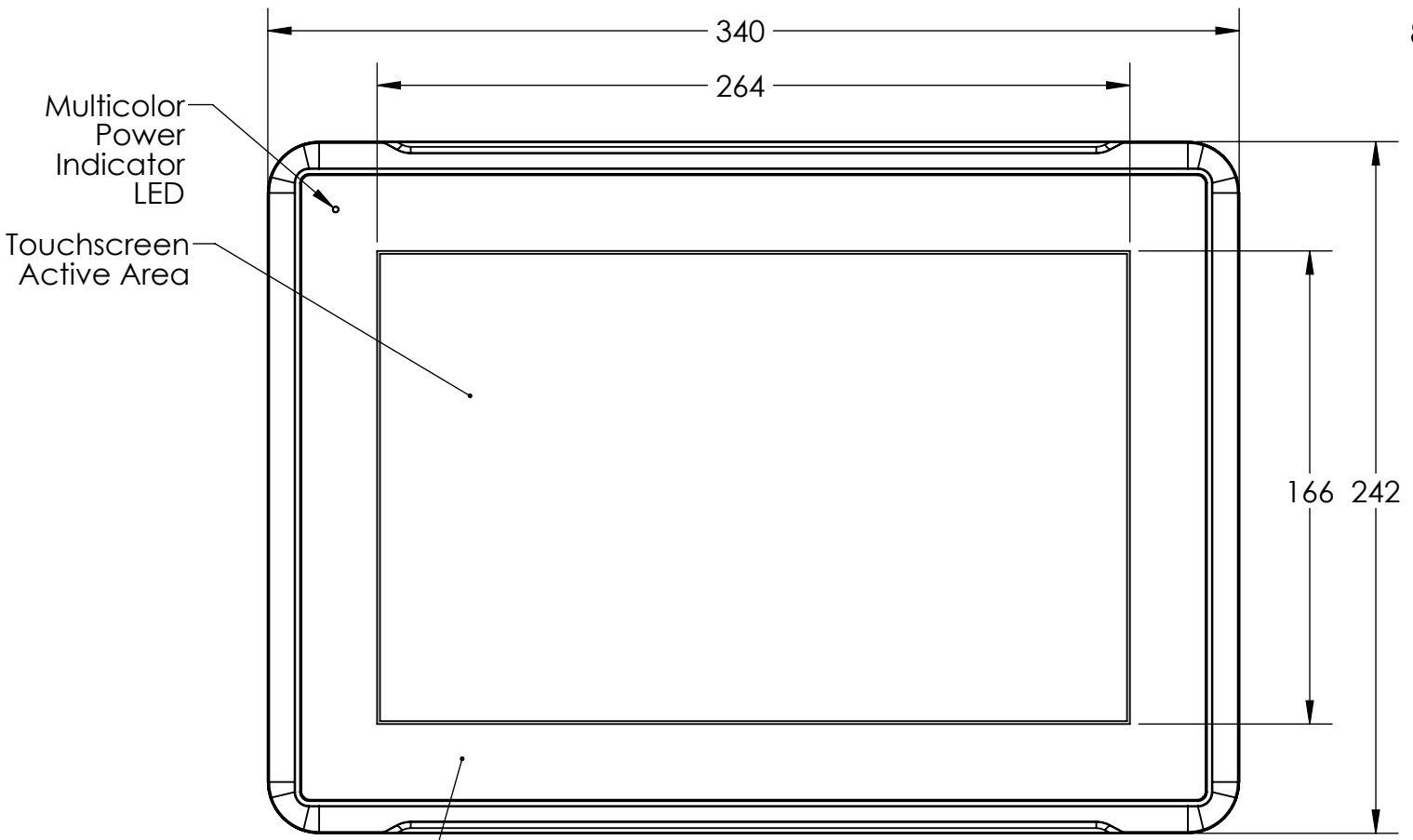
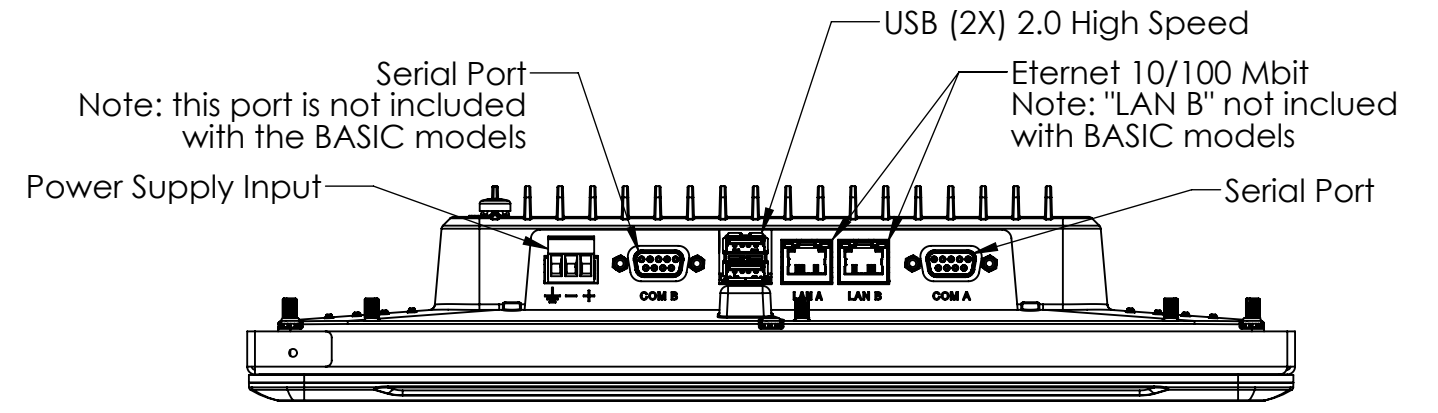
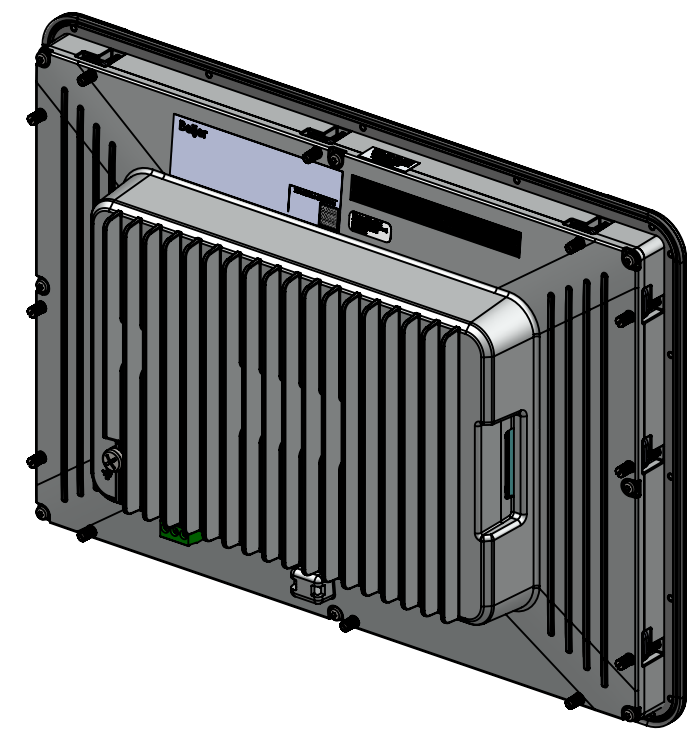
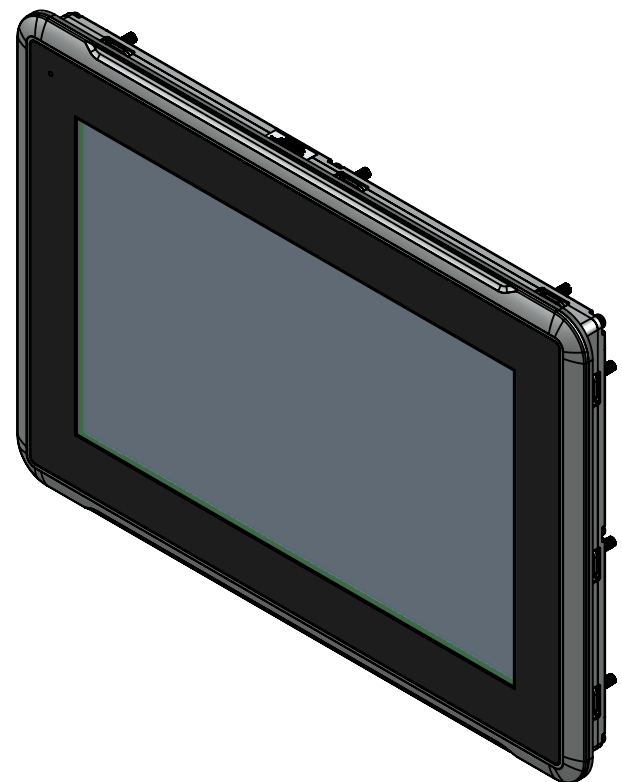


REV.	DESCRIPTION	ECODATE	ECO#
A	Initial release.	10 Apr 2017	NA



Legend Varies OEM or Blank Black Shown



DRAWING GENERATED USING SOLIDWORKS  
 © Beijer Electronics Inc. all rights reserved. The contents of this document are confidential and proprietary. All copies of this document are the property of Beijer Electronics Inc. This document shall not be released to third parties, or used except as necessary for work performed by or for Beijer Electronics Inc.

<b>METRIC</b>	UNLESS OTHERWISE SPECIFIED DIMENSIONS ARE IN MILLIMETERS. <150 mm ± 0.13 mm >150 mm ± 0.25 mm ANGLES: ± 0.5°
THIRD ANGLE PROJECTION	ORIGINATOR: Nick Harper
	ORIGINATION DATE: 3 Apr 2017
DIMENSIONS AND TOLERANCES PER ASME Y14.5M	APPROVAL:
DO NOT SCALE DRAWING	

**Beijer ELECTRONICS** Beijer Electronics Inc. 1845 West 2100 South Salt Lake City, Utah 84119 • USA www.beijerelectronicsinc.com Phone 801-466-8770 Fax 801-466-8792

TITLE:  
**X2 extreme 12 Outline Dimensions**

<b>B</b>	DWG. NO. <b>DDOC-00029</b>	REV <b>A</b>
----------	----------------------------	--------------

SHEET 1 OF 2

