

Gold Oboe Digital Servo Drive Installation Guide EtherCAT and CAN



September 2021 (Ver. 2.004)

www.elmomc.com

Notice

This guide is delivered subject to the following conditions and restrictions:

- This guide contains proprietary information belonging to Elmo Motion Control Ltd. Such information is supplied solely for the purpose of assisting users of the Gold Oboe servo drive in its installation.
- The text and graphics included in this manual are for the purpose of illustration and reference only. The specifications on which they are based are subject to change without notice.
- Information in this document is subject to change without notice.

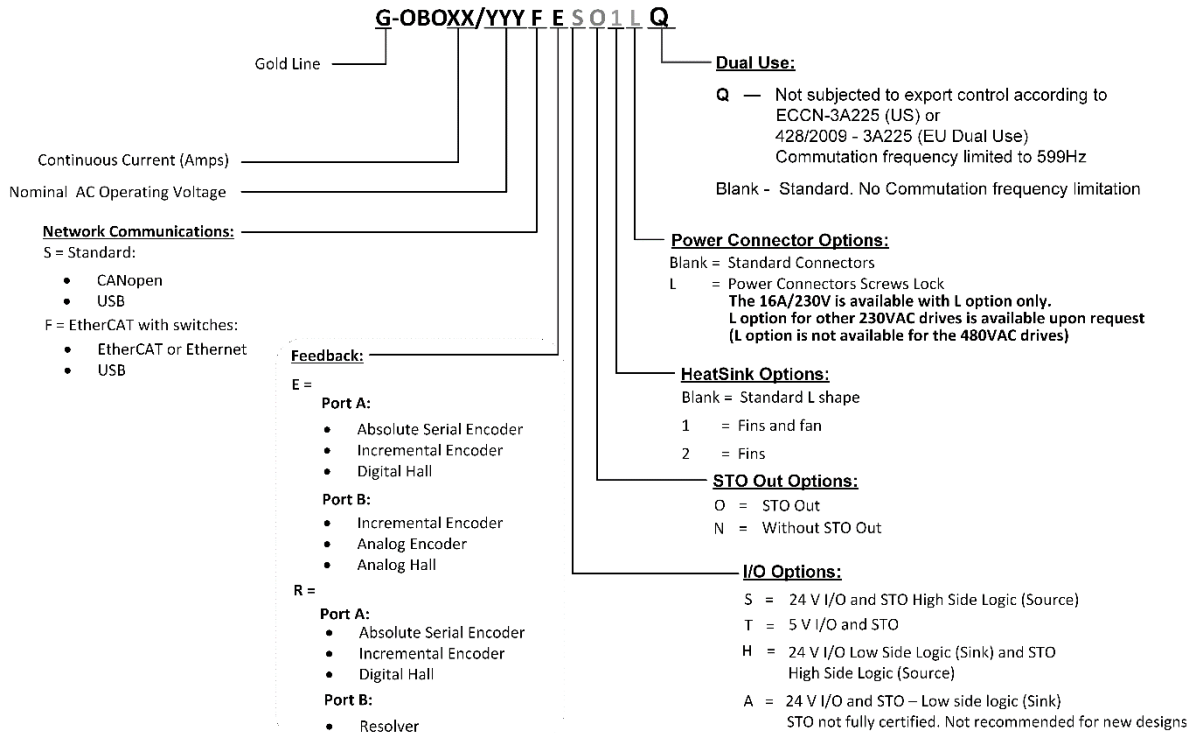
Document no. MAN-G-OBOEIG-EC (Ver. 2.004)

Copyright © 2021

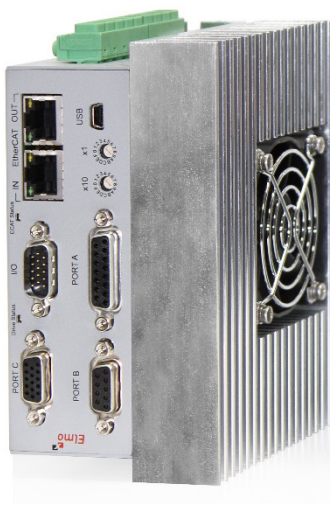
Elmo Motion Control Ltd.

All rights reserved.

Catalog Number and Configurations



The Gold Oboe is presented in three standard heat-sink configurations:



G-OBO10/230__1
13/230, 16/230, 6/480,
10/480

Fins and Fan



G-OBO6/230__2
3/480

Fins only



G-OBO3/230__(Blank)

L-Shaped Heat Sink

Consult Elmo for a non- standard Heat-Sink configuration.

Make sure that the configuration ordered defines your requirements.

Revision History

Version	Date
Ver. 1.000	Aug 2015
Ver. 1.001	Oct 2015
Ver. 1.002	Feb 2016
Ver. 1.003	Oct 2016
Ver. 1.005	Aug. 2017
Ver. 1.006	Nov 2018
Ver. 2.000	Mar 2019
Ver. 2.001	Jul 2019
Ver. 2.002	Aug 2019
Ver. 2.003	Jan 2021

Chapter 1: This Installation Guide	7
Chapter 2: Safety Information	7
2.1 Warnings	8
2.2 Cautions.....	8
2.3 Warranty Information	8
Chapter 3: Product Description.....	9
Chapter 4: Technical Information.....	10
4.1 Physical Specifications.....	10
4.2 230V Technical Data	10
4.3 480V Technical Data	11
4.4 Auxiliary Supply	11
4.5 Product Features	12
4.6 Environmental Conditions.....	13
4.6.1 Gold Line.....	13
Chapter 5: Standards and Certifications	14
5.1 CE Declaration	14
5.2 Dual Use	14
Chapter 6: Installation.....	15
6.1 Hardware Requirements	15
6.1.1 Recommended Electrical Safety and Commutation Appliances	15
6.1.2 Recommended Wire Cross-Sections (All Models).....	15
6.2 Unpacking the Drive Components	16
6.3 Connectors Types	17
6.3.1 Mating Connector Types	20
6.4 Mounting the Gold Oboe	21
6.5 Connection Diagrams	22
6.5.1 Standard Connectors (Blank option) EtherCAT Version	22
6.5.2 Standard Connectors (Blank option) CAN Version	23
6.5.3 Lock Type Connectors (L option) EtherCAT Version.....	24
6.5.4 Lock Type Connectors (L option) CAN Version	25
Chapter 7: Wiring.....	26
7.1 Basic Recommendations	28
7.1.1 General	28
7.1.2 Feedback Cable Port A and Port B Connector	29
7.1.3 Feedback Cable Port C Connector	30
7.1.4 IO Cable Connector.....	30
7.1.5 STO Cable Connector.....	30
7.2 Motor Power Connector Pinouts	31
7.2.1 Motor Power	32
7.3 Main Power	33
7.3.1 Direct-to-Mains Power Source (Non-Isolated)	34

7.3.1.1	Three-Phase Direct-to-Mains Connection Topology	35
7.3.1.2	Single-Phase Direct-to-Mains Connection Topology	35
7.3.2	Shunt Regulator	36
7.3.3	Shunt Protection.....	36
7.4	Auxiliary Power.....	37
7.5	Port A.....	39
7.5.1	Incremental Encoder	40
7.5.2	Hall Sensor	40
7.5.3	Absolute Serial Type Encoder	41
7.6	Port B.....	43
7.6.1	Incremental Encoder	44
7.6.2	Interpolated Analog Encoder	45
7.6.3	Resolver	46
7.7	Port C, and Analog Input	47
7.7.1	Port C.....	49
7.7.2	Analog Input	49
7.8	STO	50
7.8.1	STO via Standard Connectors (Blank option)	50
7.8.2	STO via Lock Type Connectors (L option)	51
7.8.3	STO Wiring Options	52
7.8.3.1	Source Mode PLC Voltage Level	52
7.8.3.2	TTL Mode TTL Voltage Level	52
7.8.3.3	STO Output	53
7.9	Digital Inputs and Outputs	54
7.9.1	Digital Input and Output TTL Mode.....	56
7.9.2	Digital Input and Output PLC Source Mode	58
7.9.3	Digital Input and Output Sink Mode.....	60
7.10	USB 2.0	62
7.11	Drive Status Indicator	63
7.12	EtherCAT Communications Version	64
7.12.1	EtherCAT IN/Ethernet Pinouts.....	64
7.12.2	EtherCAT OUT Pinouts.....	65
7.12.3	EtherCAT Wiring	66
7.12.4	EtherCAT Link Indicators	66
7.12.5	EtherCAT Status Indicator	67
7.12.6	EtherCAT Switches.....	67
7.13	CAN Communications Version	68
7.13.1	CAN Wiring	69
Chapter 8: Gold Oboe Heat Dissipation		70
8.1	Power Dissipation.....	70
Chapter 9: Powering Up		70
9.1	Initializing the System	70



Chapter 10: Gold Oboe Dimensions71

Chapter 1: This Installation Guide

This installation Guide details the technical data, pinouts, and power connectivity of the Gold Oboe. For a comprehensive detailed description of the functions refer to the MAN-G-Panel Mounted Drives Hardware manual which describes Panel Mounted products.

Chapter 2: Safety Information

In order to achieve the optimum, safe operation of the Gold Oboe, it is imperative that you implement the safety procedures included in this installation guide. This information is provided to protect you and to keep your work area safe when operating the Gold Oboe and accompanying equipment.

Please read this chapter carefully before you begin the installation process.

Before you start, ensure that all system components are connected to earth ground. Electrical safety is provided through a low-resistance earth connection.

Only qualified personnel may install, adjust, maintain and repair the servo drive. A qualified person has the knowledge and authorization to perform tasks such as transporting, assembling, installing, commissioning and operating motors.

The Gold Oboe contains electrostatic-sensitive components that can be damaged if handled incorrectly. To prevent any electrostatic damage, avoid contact with highly insulating materials, such as plastic film and synthetic fabrics. Place the product on a conductive surface and ground yourself in order to discharge any possible static electricity build-up.

To avoid any potential hazards that may cause severe personal injury or damage to the product during operation, keep all covers and cabinet doors shut.

The following safety symbols are used in this and all Elmo Motion Control manuals:



Warning:

This information is needed to avoid a safety hazard, which might cause bodily injury or death as a result of incorrect operation.



Caution:

This information is necessary to prevent bodily injury, damage to the product or to other equipment.



Important:

Identifies information that is critical for successful application and understanding of the product.



2.1 Warnings

- To avoid electric arcing and hazards to personnel and electrical contacts, never connect/disconnect the servo drive while the power source is on.
- Power cables can carry a high voltage, even when the motor is not in motion. Disconnect the Gold Oboe from all voltage sources before servicing.
- The high voltage products within the Gold Line range contain grounding conduits for electric current protection. Any disruption to these conduits may cause the instrument to become hot (live) and dangerous.
- After shutting off the power and removing the power source from your equipment, wait at least 4 minutes before touching or disconnecting parts of the equipment that are normally loaded with electrical charges (such as capacitors or contacts). Measuring the electrical contact points with a meter, before touching the equipment, is recommended.



2.2 Cautions

- The maximum AC power supply connected to the instrument must comply with the parameters outlined in this guide.
- When connecting the Gold Oboe to an approved isolated 24V auxiliary power supply, connect it through a line that is separated from hazardous live voltages using reinforced or double insulation in accordance with approved safety standards.
- Before switching on the Gold Oboe, verify that all safety precautions have been observed and that the installation procedures in this manual have been followed.
- Make sure that the Safe Torque Off is operational

2.3 Warranty Information

The products covered in this manual are warranted to be free of defects in material and workmanship and conform to the specifications stated either within this document or in the product catalog description. All Elmo drives are warranted for a period of 12 months from the date of shipment. No other warranties, expressed or implied — and including a warranty of merchantability and fitness for a particular purpose — extend beyond this warranty.



Chapter 3: Product Description

The Gold Oboe series of digital servo drives are highly resilient and designed to deliver the highest density of power and intelligence. The Gold Oboe delivers up to **5.7 kW of nominal power** in a compact package.

The Gold Oboe series are part of Elmo's advanced Gold Line. They operate from an AC power source in current, velocity, position and advanced position modes, in conjunction with a permanent-magnet synchronous brushless motor, DC brush motor, linear motor or voice coil. They are designed for use with any type of sinusoidal and trapezoidal commutation, with vector control. The Gold Oboe can operate as a stand-alone device or as part of a multi-axis system in a distributed configuration on a real-time network.

The drives are easily set up and tuned using Elmo Application Studio software tools. This Windows-based application enables users to quickly and simply configure the servo drive for optimal use with their motor. The Gold Oboe, as part of the Gold Line, is fully programmable with Elmo's motion control language.

Power to the drives is provided by an AC power source, either directly from the mains or via a transformer.

An auxiliary 24 VDC power supply is required as the Gold Oboe does not operate without one. In addition, the Auxiliary 24 VDC also powers the heat cooling fan. This smart fan is activated only "when required", significantly prolonging the fan's life-time. The auxiliary 24 VDC power supply also serves as a backup functionality, for preserving programs and parameters and maintaining communication when either the AC Mains supply is turned off or due to a Mains fault.



Chapter 4: Technical Information

4.1 Physical Specifications

Feature	Units	All Types
Weight	Kg (oz)	Fins Heat-Sink + Fan 1.10 Kg (36.70 oz)
Dimensions	mm (in)	Fins Heat-Sink 72.3 x 140 x 109 (2.82" x 5.52" x 4.29")
Mounting method		Panel / Wall Mounted
IP		IP30

4.2 230V Technical Data

Feature	Units	3/230	6/230	10/230	13/230	16/230 only with L option
Minimum supply voltage	VAC DC-500 Hz	1 x 50 or 3 x 50 Single Phase Input current is limited to $I_{Phase_VAC} \leq 10A$ (2KW- 3KW motor at 230VAC)				
Nominal supply voltage	VAC DC-500 Hz	1 x 230 or 3 x 230 Single Phase Input current is limited to $I_{Phase_VAC} \leq 10A$ (2KW- 3KW motor at 230VAC)				
Maximum supply voltage	VAC DC-500 Hz	1 x 270 or 3 x 270 Single Phase Input current is limited to $I_{Phase_VAC} \leq 10A$ (2KW- 3KW motor at 230VAC)				
Maximum continuous power output	kW	0.8	1.6	2.7	3.6	4.4
Efficiency at rated power (at nominal conditions)	%	> 98				
Auxiliary supply voltage	VDC	Without Fan: 18 to 30 VDC With Fan: 24VDC± 10%				
Auxiliary supply power	VA	Without Fan: 6 With Fan: 6 (Control) + 10 (for fan) = 16				
Continuous current limit (Ic) Amplitude sinusoidal/DC trapezoidal commutation	A	3	6	10	13	16
Continuous RMS sinusoidal commutation current limit (Ic)	A	2.1	4.2	7.1	9.2	11.3
Peak Current	A	6	12	20	26	32
Built In Shunt (peak Power)	W	3000				



4.3 480V Technical Data

Feature	Units	3/480	6/480	10/480
Minimum supply voltage	VAC DC-500 Hz	3 x 140		
Nominal supply voltage	VAC DC-500 Hz	3 x 480		
Maximum supply voltage	VAC DC-500 Hz	3 x 528		
Maximum continuous power output	kW	1.7	3.5	5.7
Efficiency at rated power (at nominal conditions)	%	> 98		
Auxiliary supply voltage	VDC	Without Fan: 18 to 30 VDC With Fan: 24VDC± 10%		
Auxiliary supply power	VA	Without Fan: 6 With Fan: 6 (Control) + 10 (for fan) = 16		
Continuous current limit (Ic) Amplitude sinusoidal/DC trapezoidal commutation	A	3	6	10
Continuous RMS sinusoidal commutation current limit (Ic)	A	2.1	4.2	7.1
Peak Current	A	6	12	20
Built In Shunt (peak Power)	W	2800		

Note on current ratings: The current ratings of the Gold Oboe are given in units of DC amperes (ratings that are used for trapezoidal commutation or DC motors). The RMS (sinusoidal commutation) value is the DC value divided by 1.41.

4.4 Auxiliary Supply

Feature	Details
Auxiliary power supply	<i>Isolated DC source using reinforced insulation</i>
Auxiliary supply input voltage	Without Fan: 18 to 30 VDC With Fan: 24VDC± 10%
Auxiliary supply input power	Without Fan: 6 VA With Fan: 16 VA



4.5 Product Features

Main Feature	Details	Presence and No.
STO	TTL <i>or</i>	√
	PLC Source <i>or</i>	√
	PLC Sink (is not fully certified, and not recommended for new designs)	√
Digital Input Option	TTL <i>or</i>	6 (5 with STO output model)
	PLC Source <i>or</i>	6 (5 with STO output model)
	PLC Sink	6 (5 with STO output model)
Digital Output Option	TTL <i>or</i>	4 (3 with STO output model)
	PLC Source <i>or</i>	4 (3 with STO output model)
	PLC Sink	4 (3 with STO output model)
Analog Input	Differential Voltage Input ±10VDC	1
Feedback	Standard Port A, B, & C	√
Communication Option	USB	√
	EtherCAT with switches <i>or</i>	√
	CAN	√
Other	STO Output Status	√



4.6 Environmental Conditions

You can guarantee the safe operation of the Gold Oboe by ensuring that it is installed in an appropriate environment.

4.6.1 Gold Line

Feature	Details
Operating ambient temperature according to IEC60068-2-2	0 °C to 40 °C (32 °F to 104 °F)
Storage temperature	-20 °C to +85 °C (-4 °F to +185 °F)
Maximum non-condensing humidity according to IEC60068-2-78	95%
Maximum Operating Altitude	2,000 m (6562 feet) It should be noted that servo drives capable of higher operating altitudes are available on request.
Mechanical Shock according to IEC60068-2-27	15g / 11ms Half Sine
Vibration according to IEC60068-2-6	5 Hz ≤ f ≤ 10 Hz: ±10mm 10 Hz ≤ f ≤ 57 Hz: 4G 57 Hz ≤ f ≤ 500 Hz: 5G



Chapter 5: Standards and Certifications

The complete Standards list describes the Standards of the Gold Oboe servo drive.

Refer to the complete Standards list detailed and available on the internet at:

<https://www.elmomc.com/capabilities/standards-compliance/gold-family/>

For further details refer to the MAN-G-Panel Mounted Drives Hardware manual.

The related standards apply to the performance of the servo drives as stated in the environmental conditions in section 4.6.1 Gold Line above.

5.1 CE Declaration

Refer to the complete EC Declaration of Conformity available on the internet at:

https://www.elmomc.com/wp-content/uploads/dlm_uploads/2018/05/Gold-Line-CE-Declaration-of-Conformity.pdf.

5.2 Dual Use

No export license is required for the Gold Line products signified with the suffix Q in the Part Number.

The operating frequency of the Gold Line products is “factory limited” to ≤ 599 Hz, and therefore complies with the EU Dual Use Regulation 428/2009, 3A225, and the US Dual Use regulation EAR ECCN# 3A225.

This statement applies to all identical specimens and will become invalid if a change is made in the firmware.



Chapter 6: Installation

The Gold Oboe must be installed in a suitable environment and properly connected to both its voltage supplies and the motor.

6.1 Hardware Requirements

6.1.1 Recommended Electrical Safety and Commutation Appliances

Circuit Breaker	Units	3/230	6/230	10/230	13/230	16/230	3/480	6/480	10/480	
Rated Current for Single phase	A AC	6	10	13	16	20				
Rated Current for Three phase	A AC	3	6	10	13	16	3	6	10	
Rated Operational Voltage (Frequency)	V AC	230 (50/60 Hz)					480 (50/60 Hz)			
Curve Code	-	B								

The contactor (Commutation Appliance) must be selected according to the Rated Current and Rated Operational Voltage of the selected circuit breaker (Electrical Safety Appliance).

6.1.2 Recommended Wire Cross-Sections (All Models)

Feature	Connection	Details	
		Minimum Wire Gauge	Maximum Terminal Capability
AC input	AC1, AC2, AC3	16 AWG (1.5 mm ²)	12 AWG (2.5 mm ²)
Earth Connection	PE	16 AWG (1.5 mm ²)	12 AWG (2.5 mm ²)

Note: The actual size is determined by the specific drive's current consumption and wire length.



6.2 Unpacking the Drive Components

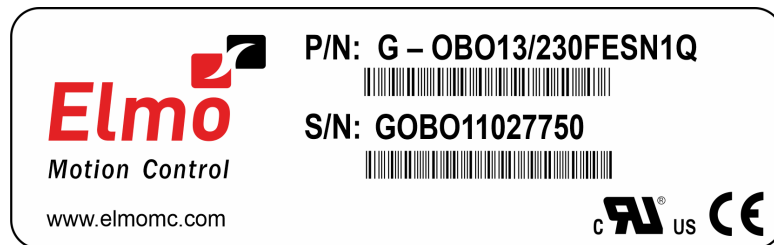
Before you begin working with the Gold Oboe, verify that you have all of its components, as follows:

- The Gold Oboe servo drive
- The Elmo Application Studio (EAS) software and software manual

The Gold Oboe is shipped in a cardboard box with Styrofoam protection.

To unpack the Gold Oboe:

1. Carefully remove the servo drive from the box and the Styrofoam.
2. Check the drive to ensure that there is no visible damage to the instrument. If any damage has occurred, report it immediately to the carrier that delivered your drive.
3. To ensure that the Gold Oboe you have unpacked is the appropriate type for your requirements, locate the part number sticker on the side of the Gold Oboe. It looks like this:



4. Verify that the Gold Oboe type is the one that you ordered, and ensure that the voltage meets your specific requirements.

The part number at the top provides the type designation. Refer to the appropriate part number in the section Catalog Number at the beginning of the installation guide.



6.3 Connectors Types

The Gold Oboe has the following connectors:

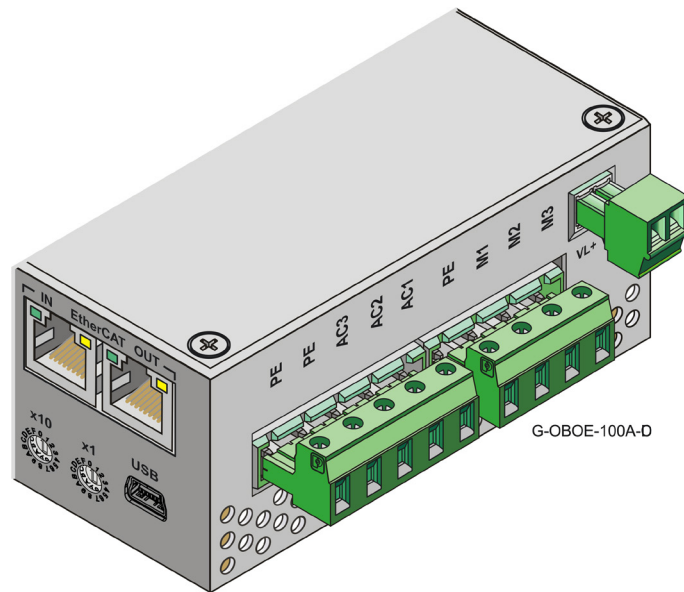
Type	Pins	Function	Port
Front Connectors			
<p>G-OBOE001B-K</p> <p style="text-align: center;">Front Connectors - EtherCAT</p> <p>G-OBOE001B-L</p> <p style="text-align: center;">Front Connectors - CAN</p>			
RJ-45	8	Ethernet/EtherCAT IN communication	
RJ-45	8	EtherCAT OUT communication	
RJ-45	8	CAN communication	



Type	Pins	Function	Port
RJ-45	8	CAN communication	
USB	4	USB communication	USB port
Socket D-Type	15	Feedback	Port A
15-Pin High Density D-Type Male	15	Digital Input/Digital Output	I/O
Socket D-Type	9	Feedback	Port B
Socket High Density D-Type	15	Feedback Output, Analog Input	Port C
	1	Safe Torque Off Signal Input 1	STO1
	1	Safe Torque Off Signal Input 2	STO2
	2	STO Signal Return	STORET

The STO1 and STO2 Ports at the Port C connector are only available for models; Standard Connectors ([Blank option](#)).

Power Side Connectors for models; Standard Connectors ([Blank option](#))

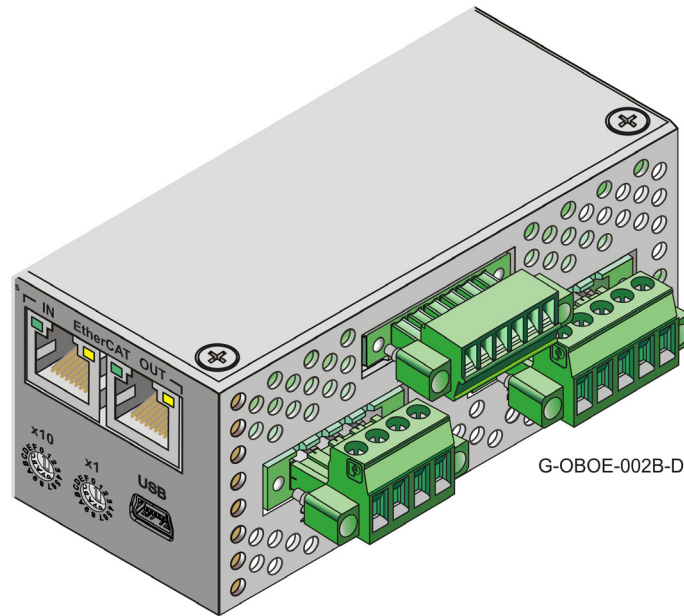


7.62 mm pitch	2	Protective Earth	PE
	1	Mains AC Input Phase 1	AC1
	1	Mains AC Input Phase 2	AC2
	1	Mains AC Input Phase 3	AC3
7.62 mm pitch	1	Motor power output 1	M1
	1	Motor power output 2	M2
	1	Motor power output 3	M3
	1	Protective Earth	PE



Type	Pins	Function	Port
3.81 mm pitch	1	+24 V Auxiliary Supply Input Positive	VL+
	1	24 V RET Auxiliary Supply Input Return	VL-

Power Side Connectors for models; Lock Type Connectors (L option)



5 mm pitch	1	Protective Earth	PE
	1	Mains AC Input Phase 1	AC1
	1	Mains AC Input Phase 2	AC2
	1	Mains AC Input Phase 3	AC3
5 mm pitch	1	Motor power output 1	M1
	1	Motor power output 2	M2
	1	Motor power output 3	M3
	2	Protective Earth	PE
3.5 mm pitch	1	+24 V Auxiliary Supply Input Positive	VL+
	1	24 V RET Auxiliary Supply Input Return	VL-
	1	Safe Torque Off Signal Input 1	STO1
	1	Safe Torque Off Signal Input 2	STO2
	2	STO Signal Return	STORET

The STO1 and STO2 Ports at the 3.5 mm pitch connector are only available for models; Lock Type Connectors (L option).



6.3.1 Mating Connector Types

Mating Pin Connector	Function	Manufacturing P/N (Phoenix Contact)
For models; Standard Connectors (Blank option)		
2 Pin	Aux. power supply	MC 1,5/2-ST-3,81
5 Pin	AC Input Power	GMSTB 2,5 HCV/ 5-ST-7,62
4 Pin	Motor Connection	GMSTB 2,5 HCV/ 4-ST-7,62
For models; Lock Type Connectors (L option)		
6 Pin	Aux. power supply and STO	MC 1,5/6-STF-3,5
4 Pin	AC Input Power	MSTB 2,5 HC/ 4-STF
5 Pin	Motor Connection	MSTB 2,5 HC/ 5-STF



6.4 Mounting the Gold Oboe

For optimum heat dissipation, the Gold Oboe should be installed with the heat sink's flat-side attached to the machine's chassis. It is recommended to mount the Gold Oboe in the vertical position.

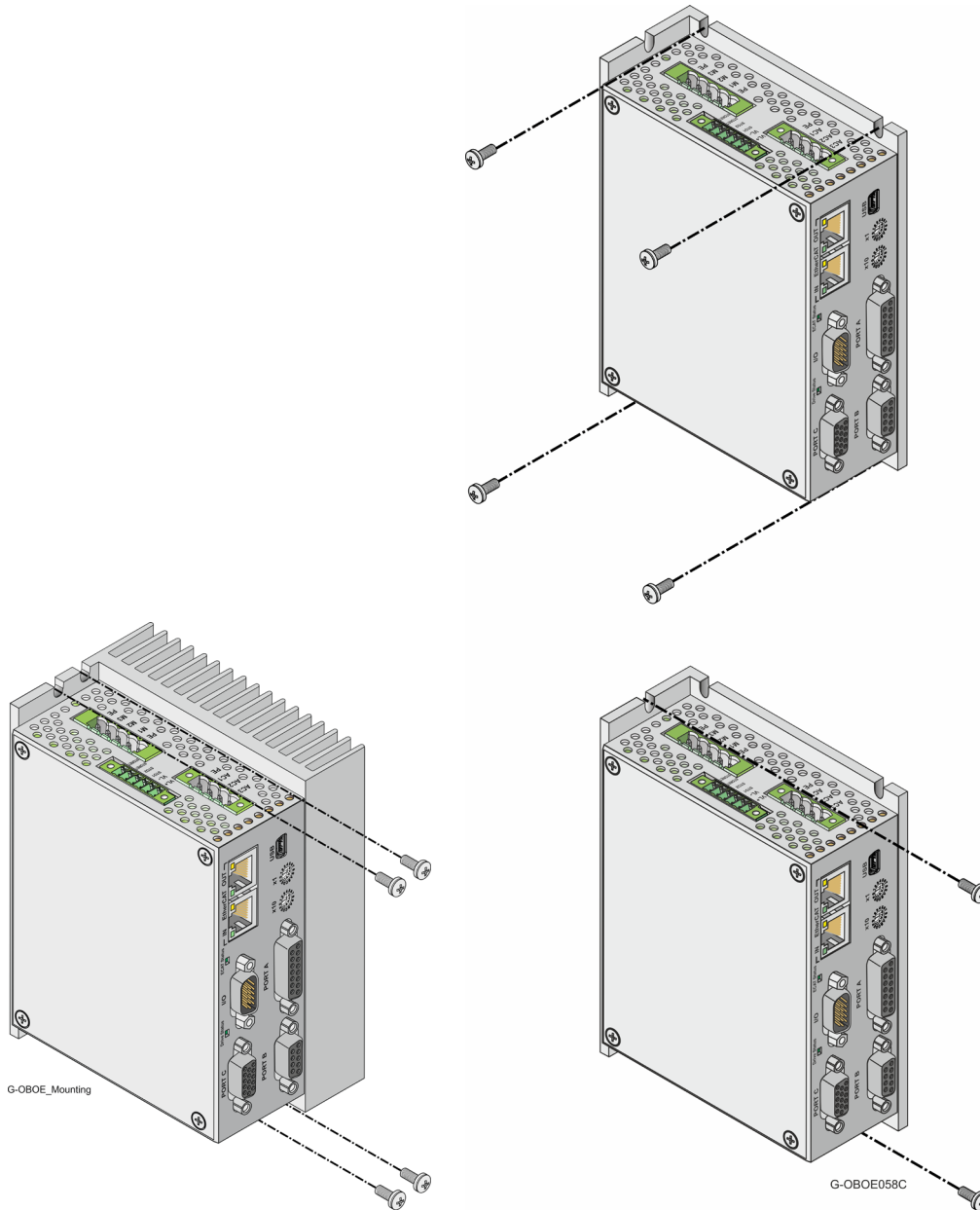


Figure 1: Mounting Options for the Gold Oboe

M4 round head screws, one through each opening in the heat sink, are used to mount the Gold Oboe (see the diagram below).

For either Connectors Type model with the fans heatsink, although four screws are shown, it is sufficient to mount the Gold Oboe with two screws, one at the top and the other at the lower side.

However, if the flat heatsink is used, all four screws should be used to secure the servo drive to the heatsink surface.

Note: Whichever mounting method is preferred, make sure to leave 2.54 cm (1 ") from the cooling fan area in any direction for heat dissipation.

6.5 Connection Diagrams

There is one connection diagram for EtherCAT and one for CAN in the Gold Oboe models.

6.5.1 Standard Connectors (Blank option) EtherCAT Version

The following describes the connection diagrams for the EtherCAT version.

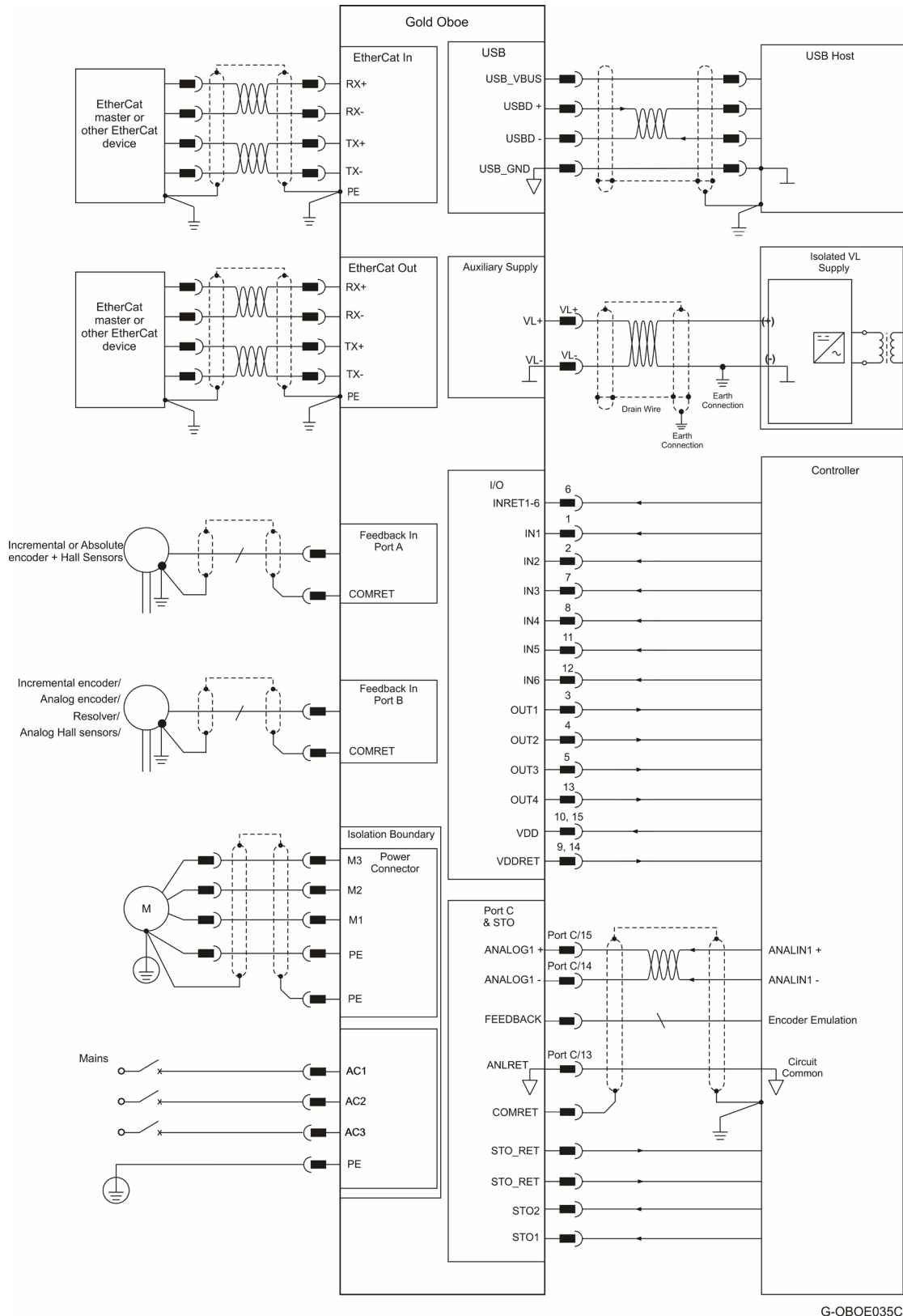
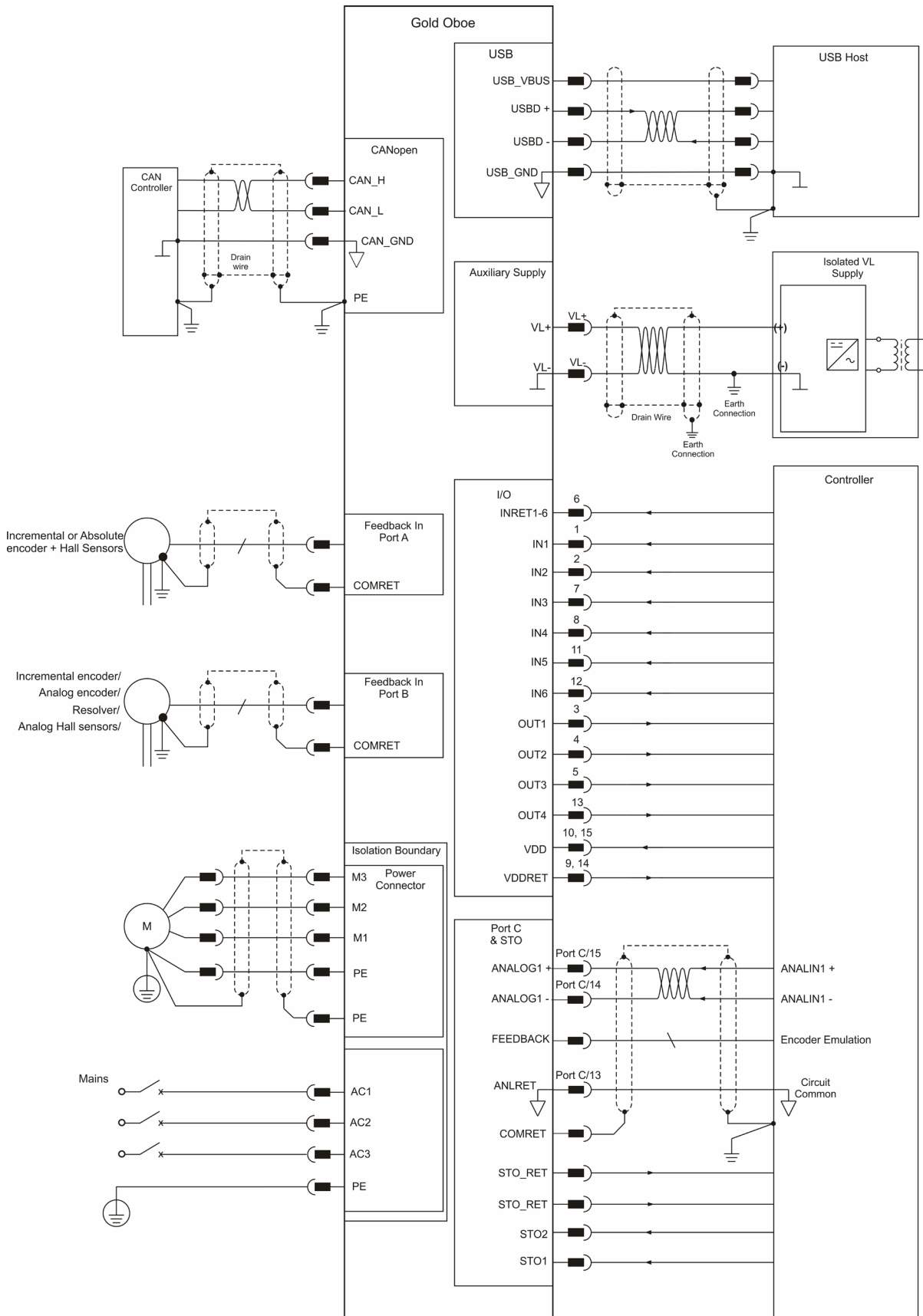


Figure 2: Gold Oboe Connection Diagram for Standard Connectors (Blank option) EtherCAT

6.5.2 Standard Connectors (Blank option) CAN Version

The following describes the connection diagrams for the CAN version.

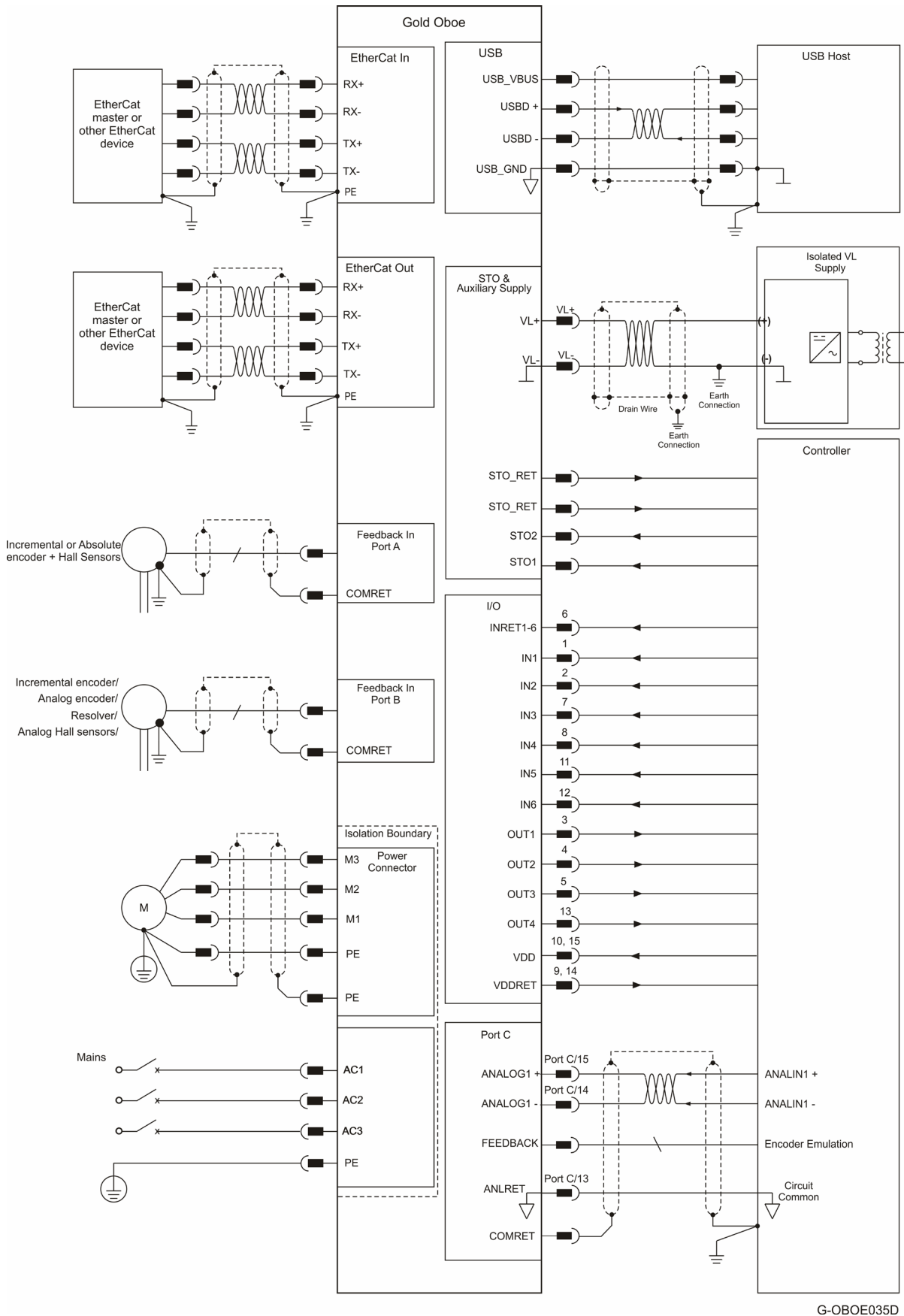


G-OBOE036C

Figure 3: Gold Oboe Connection Diagram for Standard Connectors (Blank option) CAN

6.5.3 Lock Type Connectors (L option) EtherCAT Version

The following describes the connection diagrams for the EtherCAT version.



G-OBOE035D

Figure 4: Gold Oboe Connection Diagram for Lock Type Connectors (L option) EtherCAT

6.5.4 Lock Type Connectors (L option) CAN Version

The following describes the connection diagrams for the CAN version.

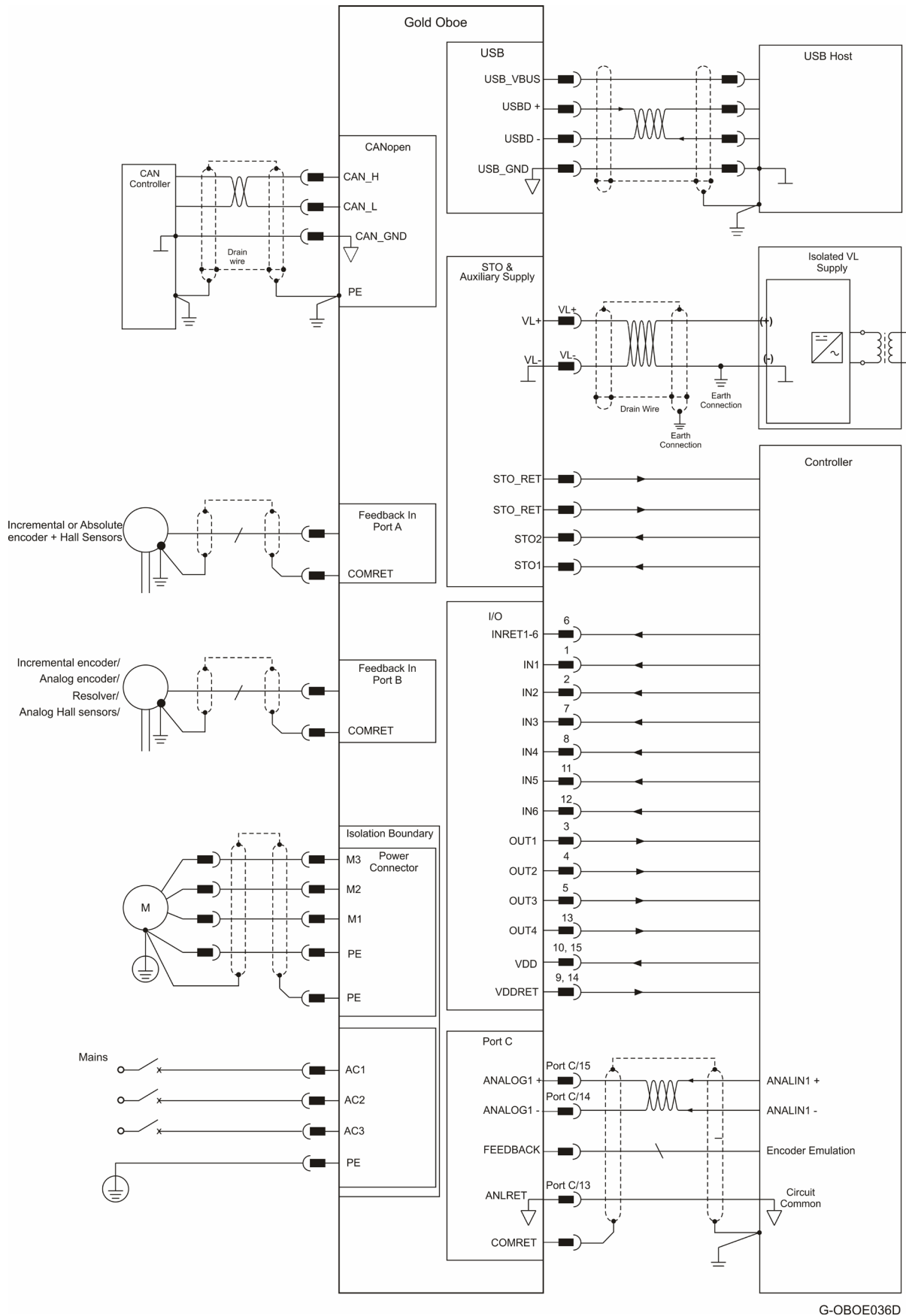



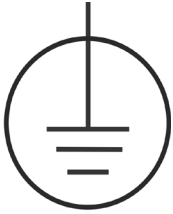
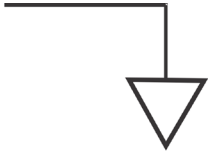
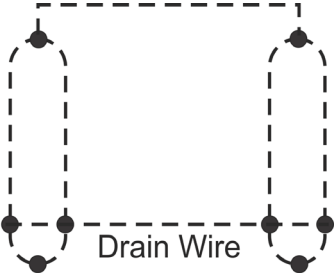
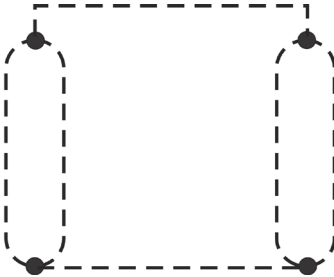
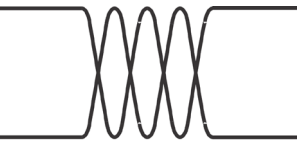
Figure 5: Gold Oboe Connection Diagram for Lock Type Connectors (L option) CAN



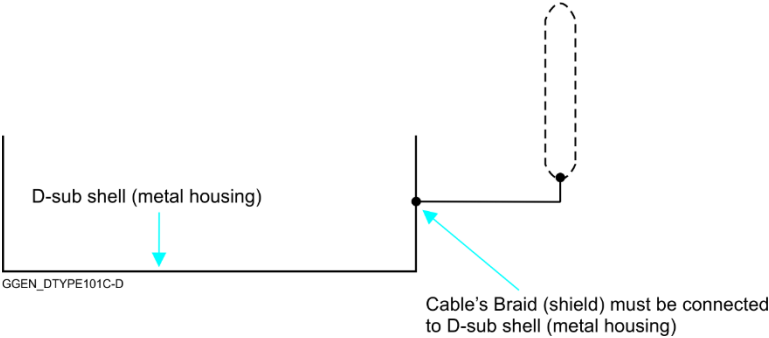
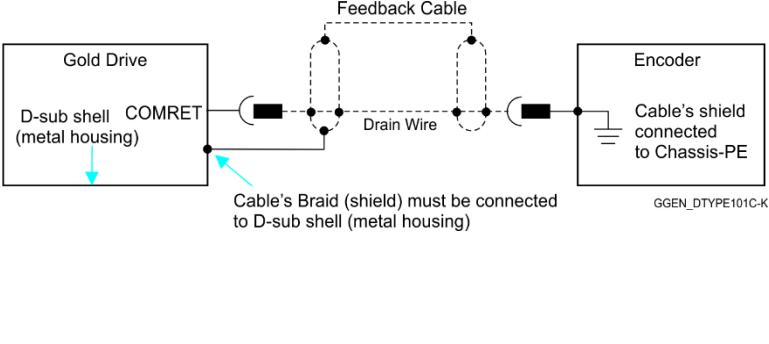
Chapter 7: Wiring

Once the product is mounted, you are ready to wire the device. Proper wiring, grounding and shielding are essential for ensuring safe, immune and optimal servo performance of the drive.

The following table legend describes the wiring symbols detailed in all installation guides.

Wiring Symbol	Description
 GGEN_101D-A	Earth connection (PE)
 GGEN_101D-B	Protective Earth Connection
 GGEN_101D-C	Common at the Controller
 GGEN_101D-D	<p>Shielded cable with drain wire.</p> <p>The drain wire is a non-insulated wire that is in direct contact with the braid (shielding).</p> <p>Shielded cable with drain wire significantly simplifies the wiring and earthing.</p>
 GGEN_101D-E	Shielded cable braid only, without drain wire.
 GGEN_101D-F	Twisted-pair wires



Wiring Symbol	Description
 <p>GGEN_DTYP101C-D</p>	<p>D-type Connector: The cable's braid (Shield) must be connected to the D-sub shell (metal housing)</p>
 <p>GGEN_DTYP101C-K</p>	<p>Encoder Earthing.</p> <p>The cable's shield is connected to the chassis (PE) in the connector.</p> <p>Earthing the Encoder and connecting the Earth (PE) to the drive COMRET is mandatory to insure reliable operation, high noise immunity and rejection of voltage common mode interferences.</p>



7.1 Basic Recommendations

7.1.1 General

1. Use shielded cables. For best results, the cable should have an aluminum foil shield covered by copper braid, and should contain a drain wire.
Use 24, 26 or 28 AWG twisted-pair shielded with drain wire cables.
2. Keep the cable as short as possible.
Do not mount the power cables of the motor and power bus in the proximity of the control and feedback cables.
3. Ensure that in normal operating conditions, the “earth connection” wires and shield of the control cables *carry no current*. The only time these conductors carry current is under abnormal conditions, when electrical equipment has become a potential shock or fire hazard while conducting external EMI interferences directly to ground, in order to prevent them from affecting the drive. Failing to meet this requirement might result in drive/controller/host failure.
4. After completing the wiring, carefully inspect all wires to ensure tightness, good solder of joints and general safety.

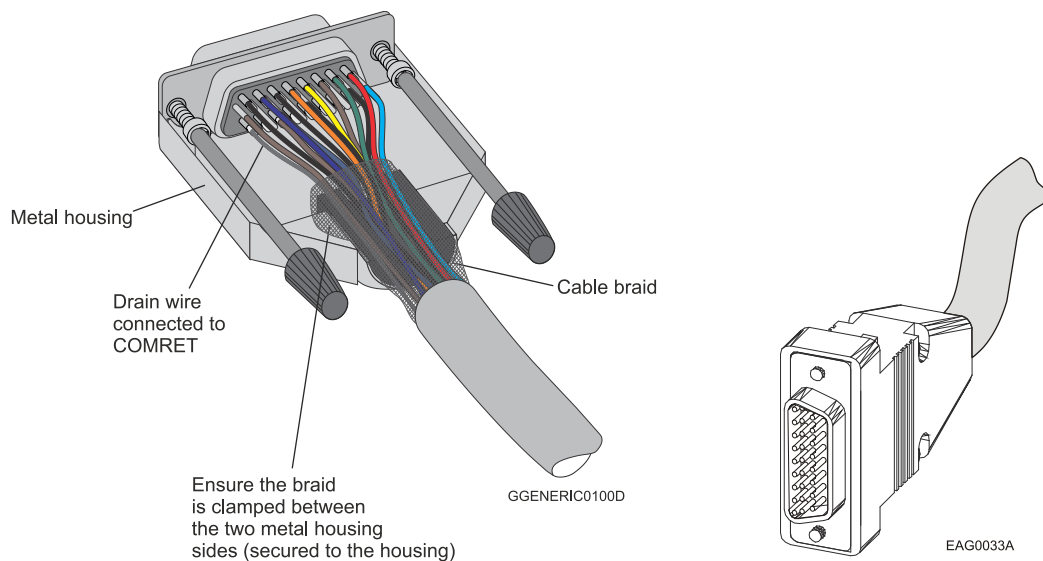


Figure 6: D-Type Cable Assemblies

5. Use only a D-Sub connector with a **metal housing** (Figure 6).
6. Make sure the braid shield is in tight contact with the metal housing of the D-type connector (Figure 6).



7.1.2 Feedback Cable Port A and Port B Connector

1. On the motor side connections, ground the shield to the motor chassis.
2. At least One COMRET (Common Return) must be connected to the PE.

Implement the following steps to connect the COMRET to the PE:

- a. At the drive, connect the feedback drain wire to one of the COMRET terminals in the D-Type feedback connector (Figure 7).
- b. At the motor, connect the feedback cable drain wire to the GND motor chassis terminal of the feedback connector.

The drawings below display two earth connections.

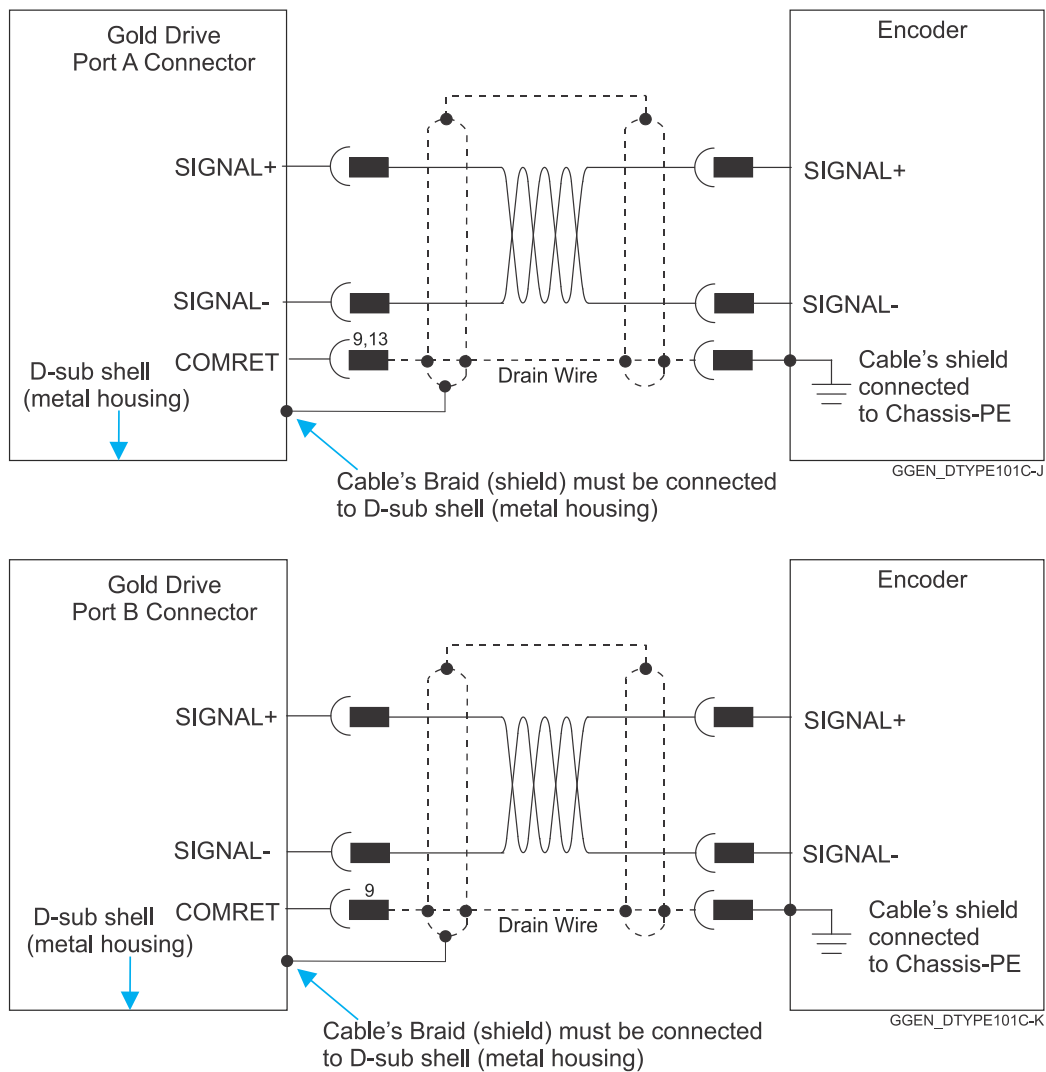


Figure 7: Feedback Port A and B Cable Assemblies



7.1.3 Feedback Cable Port C Connector

1. At the controller side connections, follow the controller manufacturer's recommendations concerning the shield.
2. The connection of the Drain wire to the Port C is mandatory.

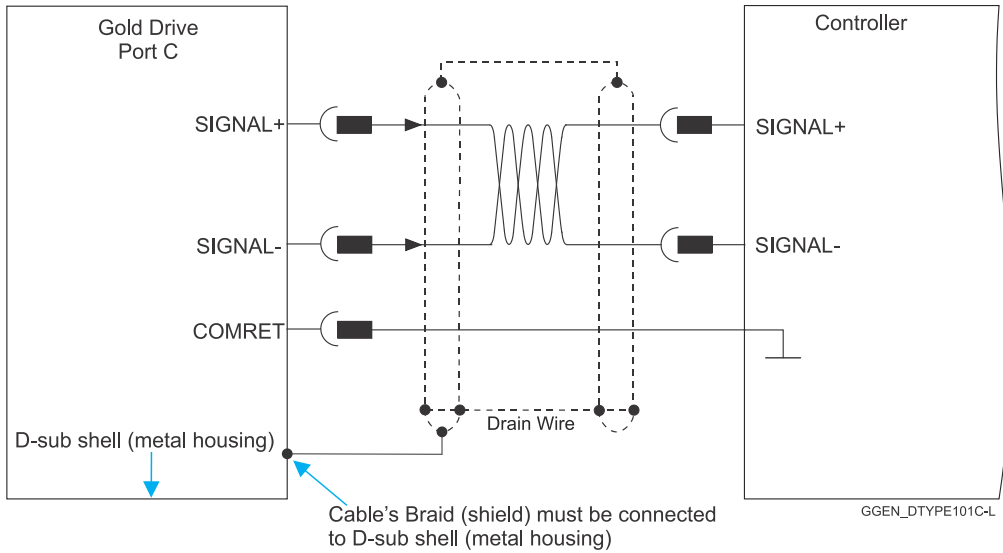


Figure 8: Feedback Port C Cable Assemblies

7.1.4 IO Cable Connector

It is recommended to use shielded cable, but is not mandatory.

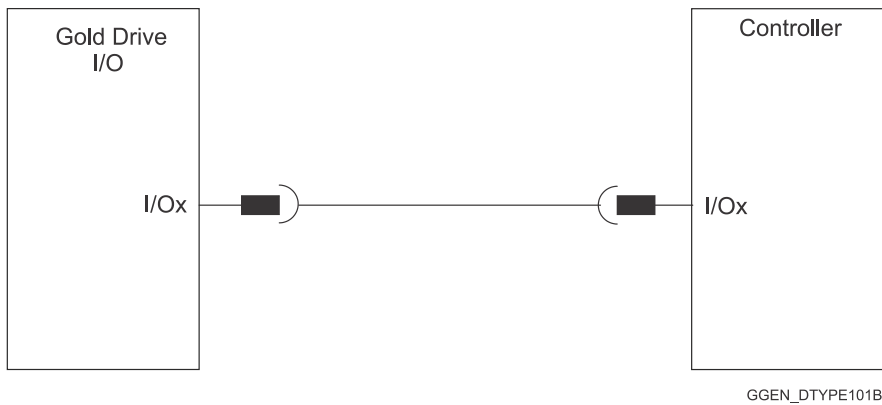


Figure 9: Feedback IO Cable Assemblies

7.1.5 STO Cable Connector

It is recommended to use shielded cable, but is not mandatory.

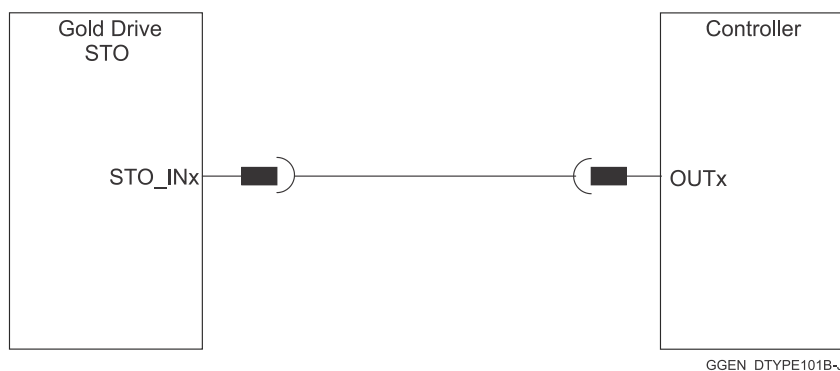


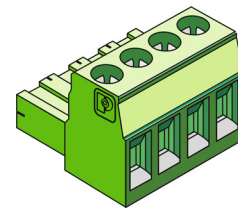
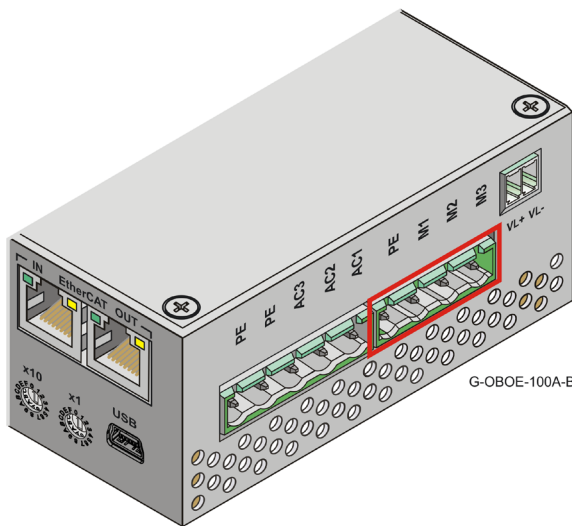
Figure 10: STO Cable Assemblies

7.2 Motor Power Connector Pinouts

See Chapter 8 in the MAN-G-Panel Mounted Drives Hardware manual available from <https://www.elmomc.com/download/4195/>.

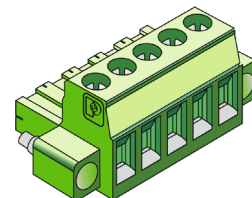
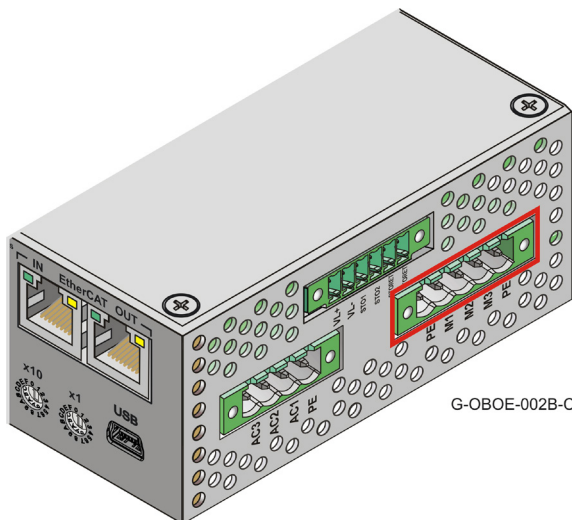
Pin	Function	Cable	
		Brushless Motor	Brushed DC Motor
M1	Motor phase M1	Motor	N/C
M2	Motor phase M2	Motor	Motor
M3	Motor phase M3	Motor	Motor
PE	Protective Earth Motor Chassis	Motor Chassis	Motor Chassis
	Protective Earth Motor Chassis	Braid Wire (Recommended but not mandatory)	Braid Wire (Recommended but not mandatory)

Pin Positions for models; Standard Connectors (Blank option)



4-Pin Pluggable 7.62 mm
Phoenix Flange Connector

Pin Positions for models; Lock Type Connectors (L option)



5-Pin Pluggable 5 mm
Phoenix Screw Flange
Connector

Table 1: Connector for the Motor

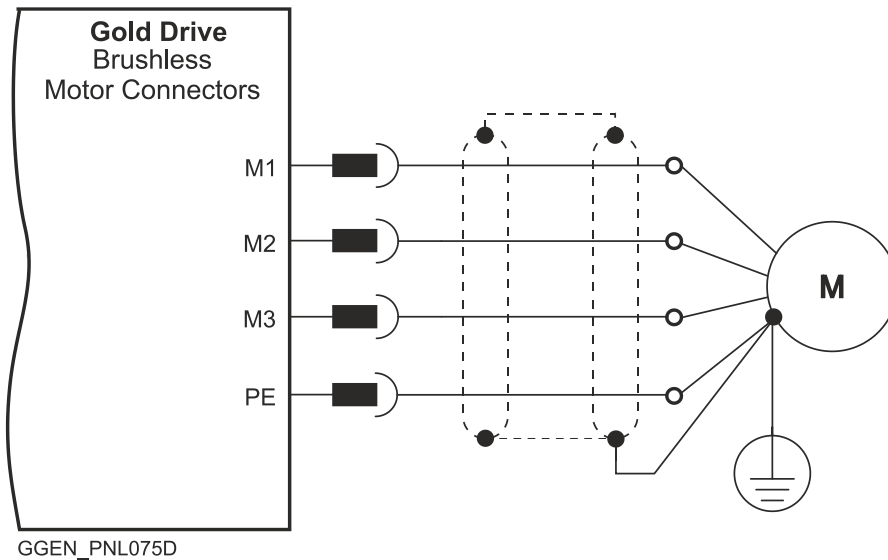


Figure 11: Brushless Motor Power Connection Diagram

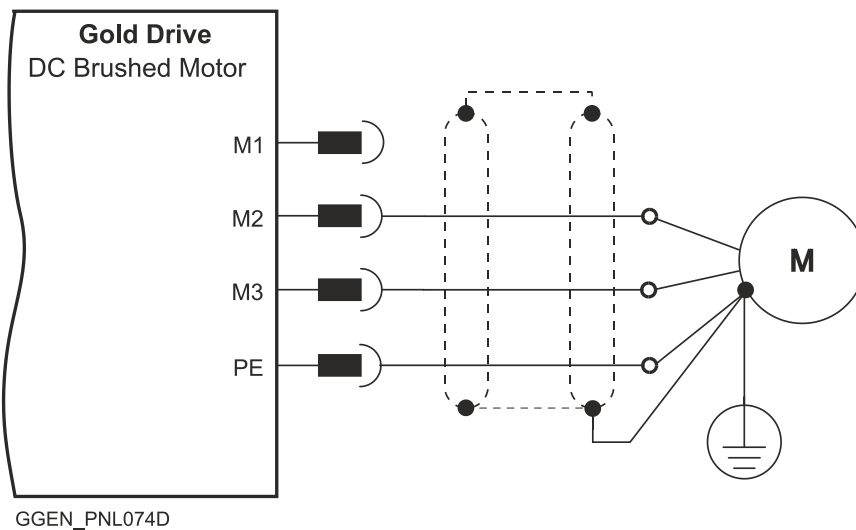


Figure 12: DC Brushed Motor Power Connection Diagram

7.2.1 Motor Power

To power the drive, connect the motor to the drive, and connect the M1, M2, M3, and PE pins on the Gold Oboe. The phase connection is arbitrary as Elmo Application Studio (EASII) will establish the proper commutation automatically during setup. When tuning a number of drives, you can copy the setup file to the other drives and thus avoid tuning each drive separately. In this case the motor-phase order must be the same as on the first drive.

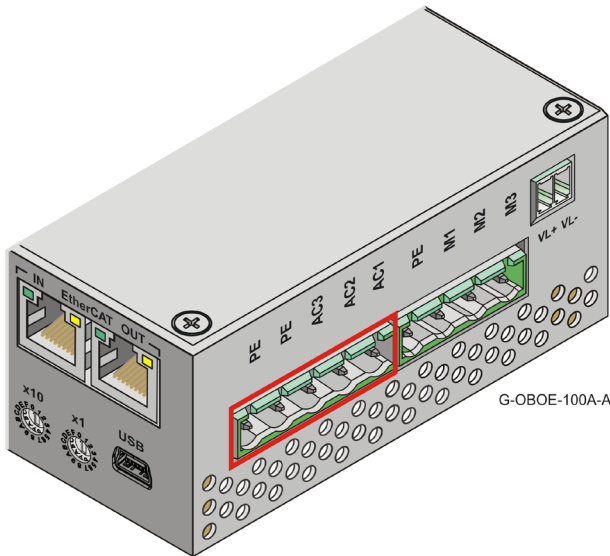
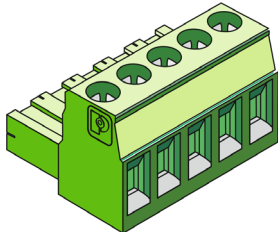
- For best immunity, it is highly recommended to use a 4-wire shielded (not twisted) cable for the motor connection. The gauge is determined by the actual current consumption of the motor.
- Connect the cable shield to the closest ground connection at the motor end.
- For better EMI performance, the shield should be connected to Protective Earth (PE terminal). Connect the Braid wire to the PE terminal on the drive connector.
- Ensure that the motor chassis is properly grounded to PE.

7.3 Main Power

The Gold Oboe receives AC power directly from the mains.

Pin	Function	Cable
PE	Protective Earth	AC Power
AC1	Mains AC input Phase 1	AC Power
AC2	Mains AC input Phase 2	AC Power
AC3	Mains AC input Phase 3	AC Power

Pin Positions for models; Standard Connectors (Blank option)

 <p>G-OBOE-100A-A</p>	 <p>5-Pin Pluggable 7.62 mm Phoenix Flange Connector</p>
---	--

Pin Positions for models; Lock Type Connectors (L option)

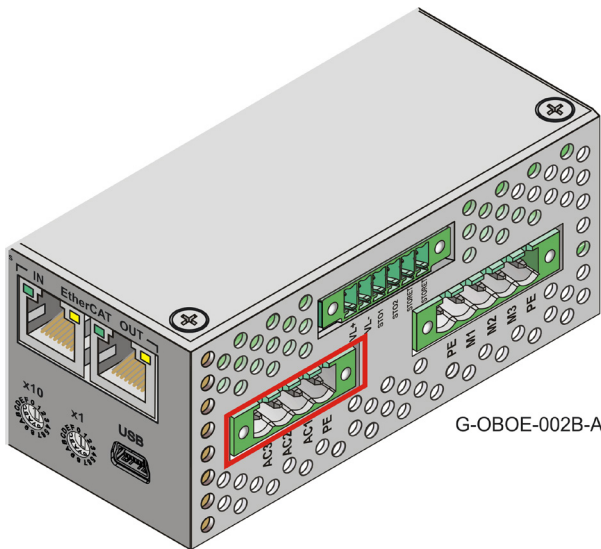
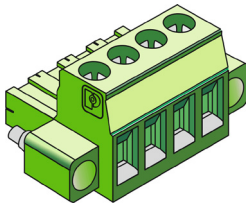
 <p>G-OBOE-002B-A</p>	 <p>4-Pin Pluggable 5 mm Phoenix Screw Flange Connector</p>
--	---

Table 2: Connector for the Main Power

The AC power for the Gold Oboe can be delivered from either directly from the mains or from a single or three-phase isolated transformer. The following sections contain topology recommendations for implementing three-phase and a single-phase supply chains.



The power stage of the Gold Oboe is fully isolated from the other sections of the Gold Oboe, such as the control-stage and the heat sink. **This isolation allows the user to connect the common of the control section to the PE, a connection which significantly contributes to proper functionality, safety and EMI immunity, leading to better performance of the Gold Oboe.**

This isolation allows the Gold Oboe to operate with a non-isolated source (a direct-to-mains connection) which eliminates the need for a bulky and expensive isolation transformer.

As well as operating from a non-isolated/direct-to-mains AC supply, the Gold Oboe can also operate from an isolated transformer.

The AC voltage level must be limited to 270 VAC in the 230 VAC version, and to 528 VAC in the 480 VAC version, so as not to exceed the maximum allowed supply voltage to the drive.

7.3.1 Direct-to-Mains Power Source (Non-Isolated)

This section relates to the configuration of the drive, which is connected directly to the mains.

To connect the non-isolated AC power supply:

1. For best noise immunity, a shielded (not twisted) cable is recommended (not mandatory) for the AC input cable.
2. A 4-wire shielded cable should be used:
 - a. Connect the 3-phase leads of the main input cable to the AC1, AC2 and AC3 terminals of the main input connector.
 - b. For safety requirements, the green/yellow-wire must be connected to the protective earth (PE terminal). Connect the Protective Earth wire to the PE terminal on the main AC connector.
 - c. For better EMI performance, the shield should be connected to Protective Earth (PE).
3. The gauge of the cable strands is determined by the actual current of the drive.



Caution For all the following Topologies:

Take care and note that in a direct-to-mains connection the Neutral point is *not* the most negative voltage level. It is the mid-point level of the rectified DC bus.

7.3.1.1 Three-Phase Direct-to-Mains Connection Topology

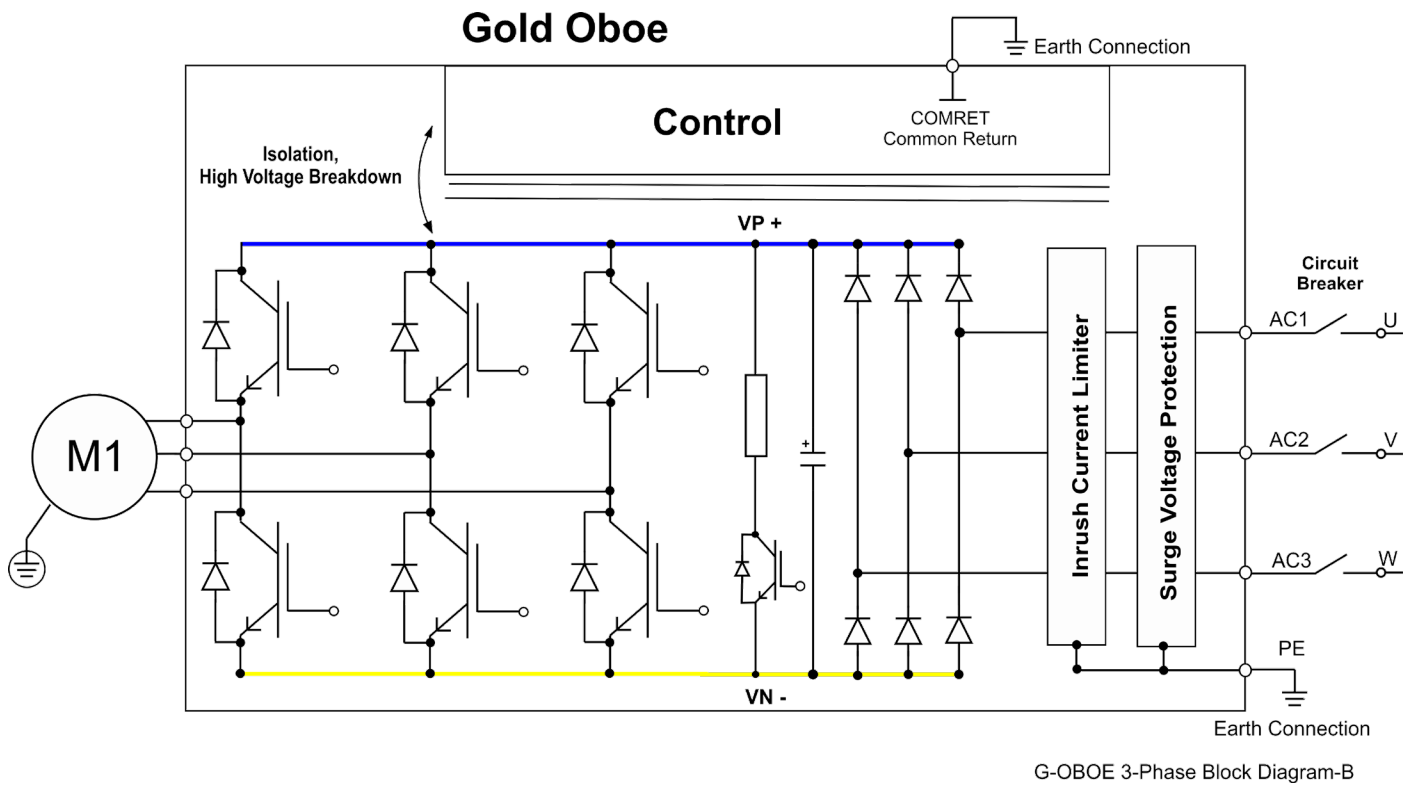


Figure 13: Non-Isolated Three-Phase Source - Connection Topology

7.3.1.2 Single-Phase Direct-to-Mains Connection Topology

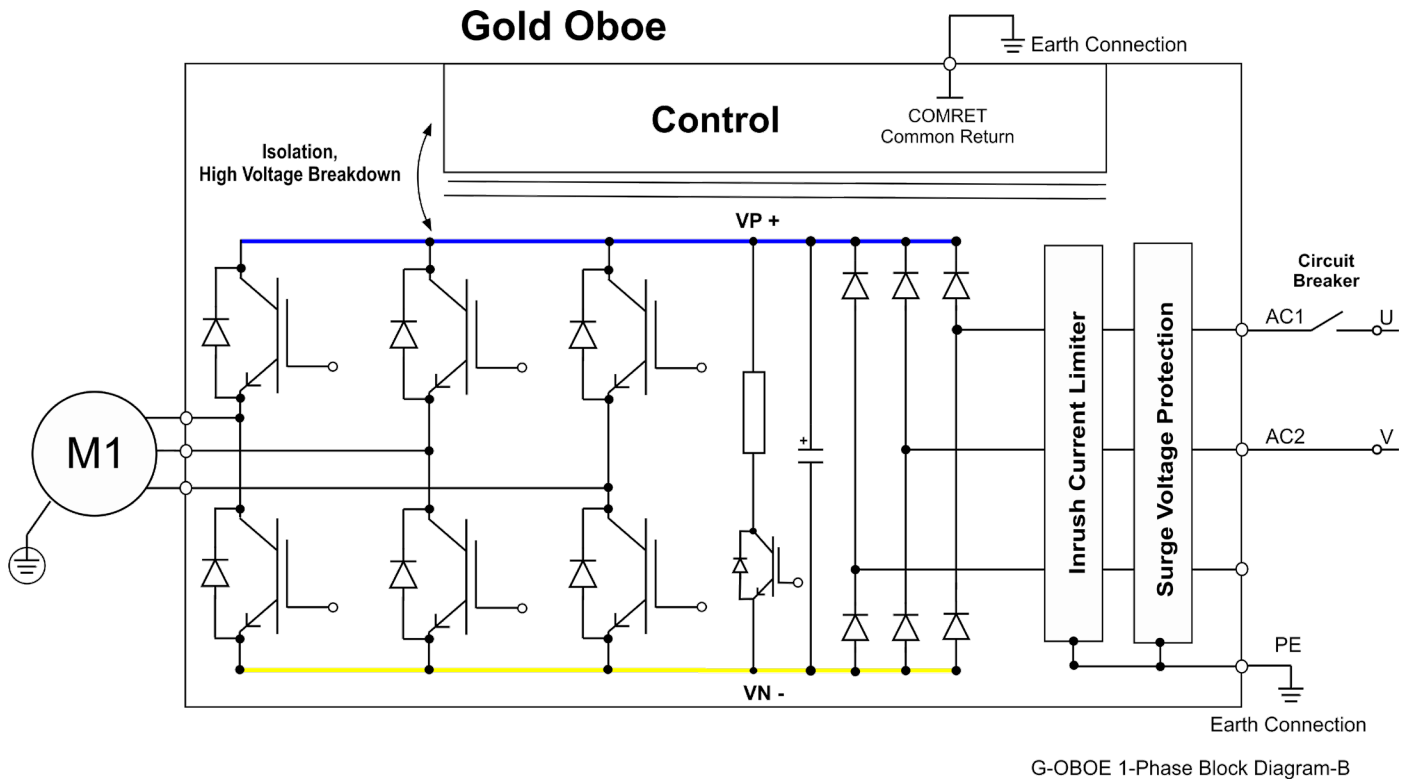


Figure 14: Non-Isolated Single-Phase Source - Connection Topology



7.3.2 Shunt Regulator

A shunt regulator is included in the Gold Oboe. The shunt regulator is a switching type, wherein the dissipative element (power resistor) is switched across the DC bus, whenever the voltage reaches a predetermined level. The function of the shunt regulator is to regulate the voltage of the DC bus during the period of motor deceleration, when there is a net energy outflow from the motor to the servo drive, to prevent the servo drive from disabling itself as a result of an “over-voltage” type reason.

When the capacitors charge-up reaches the predetermined shunt threshold level, the shunt regulator begins its regulating action. The bus is regulated to 385 VDC (for 230VAC models), or 750 VDC (for 480VAC models) until the regeneration-energy is dissipated.

7.3.3 Shunt Protection

The shunt system of the Gold Oboe includes a duty cycle limiter, which inhibits shunt whenever the shunt ON time exceeds 2% of the complete motion profile time. This feature protects the shunt regulator when high-inertia loads are driven by the servo drive(s) or when too high AC voltage is applied to the power supply (i.e. DC output is already above the threshold of the shunt).



7.4 Auxiliary Power

The Gold Oboe always requires an external 24 VDC power supply, regardless of whether or not backup functionality is required.

There are two optional versions of the Gold Oboe:

- Standard Connectors (**Blank option**) – Auxiliary Power only
- Lock Type Connectors (**L option**) – Auxiliary Power and STO (for details of the STO connections refer to section 7.8.)

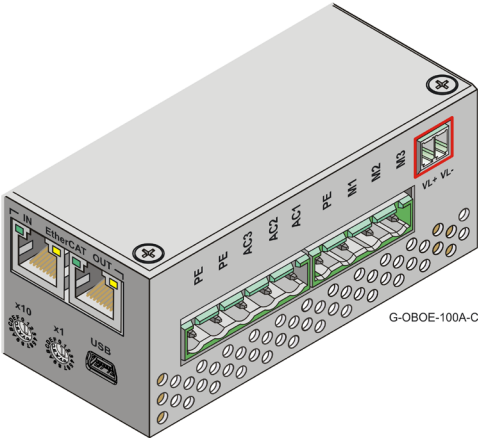
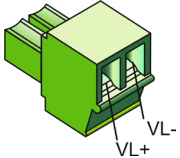
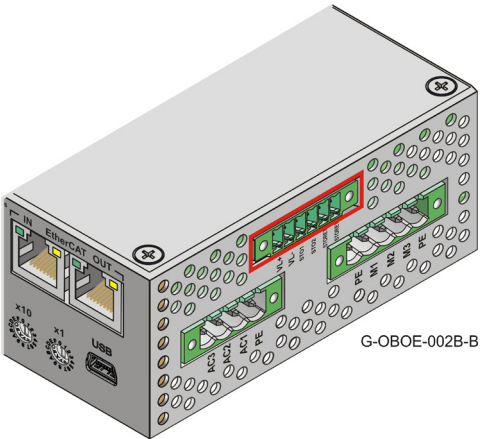
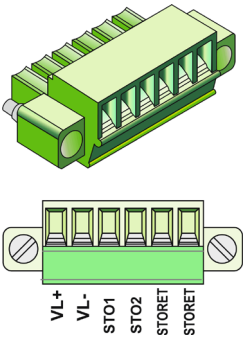
Pin	Function	Cable
For models; Standard Connectors (Blank option)		
VL+	+24 V Auxiliary Supply Input Positive	Auxiliary Power
VL-	24 V RET Auxiliary Supply Input Return	Auxiliary Power
Pin Positions		
		 <p>2-Pin Pluggable 3.81 mm Phoenix Flange Connector</p>
For models; Lock Type Connectors (L option)		
VL+	+24 V Auxiliary Supply Input Positive	Auxiliary Power
VL-	24 V RET Auxiliary Supply Input Return	Auxiliary Power
STO1	STO input 1	
STO2	STO Input 2	
STORET	STO Return	
Pin Positions		
		 <p>6-Pin Pluggable 3.81 mm Screw Flange Phoenix Connector</p>

Table 3: Auxiliary 24 VDC Power Supply Pins and Polarity



Connect the auxiliary 24 VDC power supply as described below.

To connect the 24 VDC power supply:

1. Use a 24 AWG twisted pair shielded cable. The shield should have copper braid.
2. The source of the 24 VDC power supply must be isolated from the mains.
3. For safety and EMI reasons, connect the return of the 24 VDC power supply to the closest ground (PE) in the power supply side.
4. Connect the cable shield to the closest ground (PE) near the power source.
5. Before applying power, first verify that the polarity of the connection is correct.

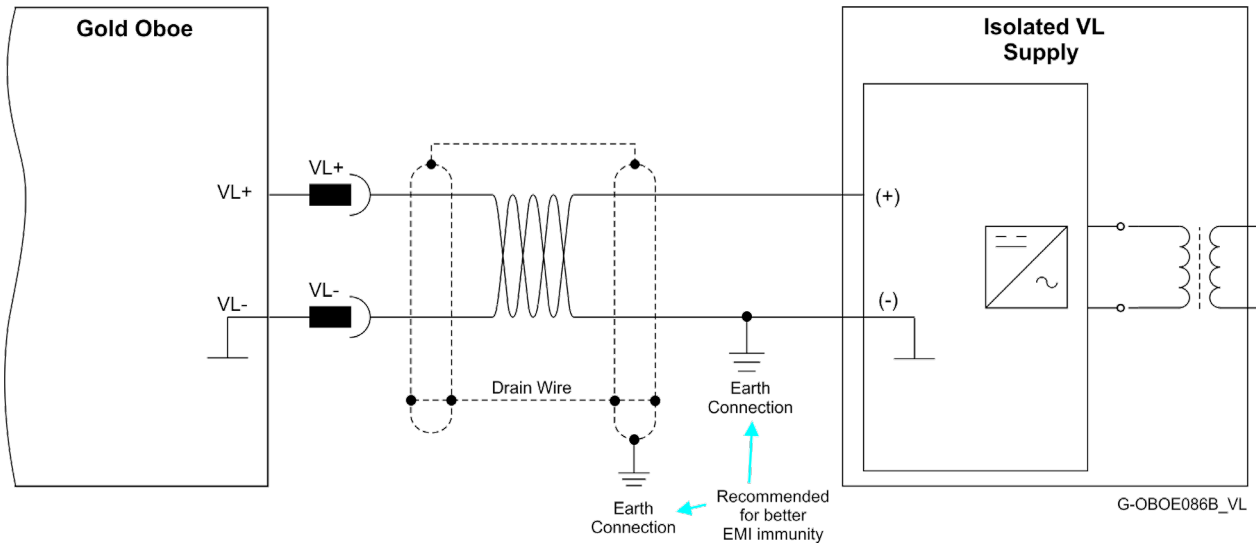


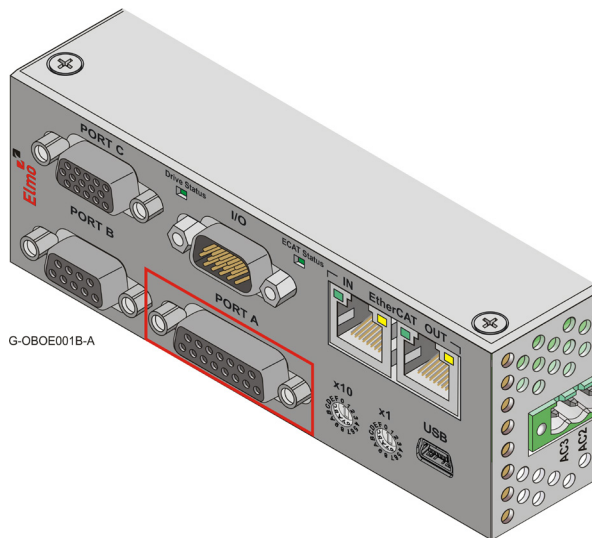
Figure 15: Auxiliary 24 VDC Power Supply Connection Diagram

7.5 Port A

See Section 10.3 in the MAN-G-Panel Mounted Drives Hardware manual available from <https://www.elmomc.com/download/4195/>.

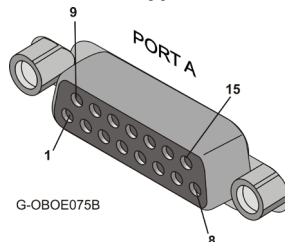
Incremental Encoder			Absolute Serial Encoder	
Pin on Port A	Signal	Function	Signal	Function
12, 4	+5V	Encoder +5V supply	+5V	Encoder +5V supply
3,9,11,13	COMRET	Common Return	COMRET	Common Return
6	PortA_ENC_A+	Channel A+	ABS_CLK+	Abs encoder clock +
5	PortA_ENC_A-	Channel A-	ABS_CLK-	Abs encoder clock -
15	PortA_ENC_B+	Channel B+	ABS_DATA+	Abs encoder data +
14	PortA_ENC_B-	Channel B-	ABS_DATA-	Abs encoder data -
8	PortA_ENC_INDEX+	Index+	Reserved	Reserved
7	PortA_ENC_INDEX-	Index-	Reserved	Reserved
2	HA	Hall sensor A	HA	Hall sensor A
10	HB	Hall sensor B	HB	Hall sensor B
1	HC	Hall sensor C	HC	Hall sensor C

Pin Positions

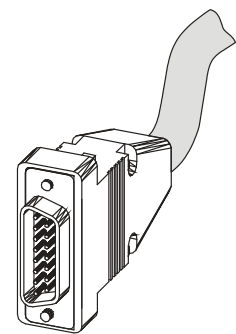


G-OBOE001B-A

15-Socket D-Type Connector



G-OBOE075B



15-Pin D-Type Male Connector

Table 4: Port A Pin Assignments

7.5.1 Incremental Encoder

The following figure describes the connections at Port A for the Incremental encoder.

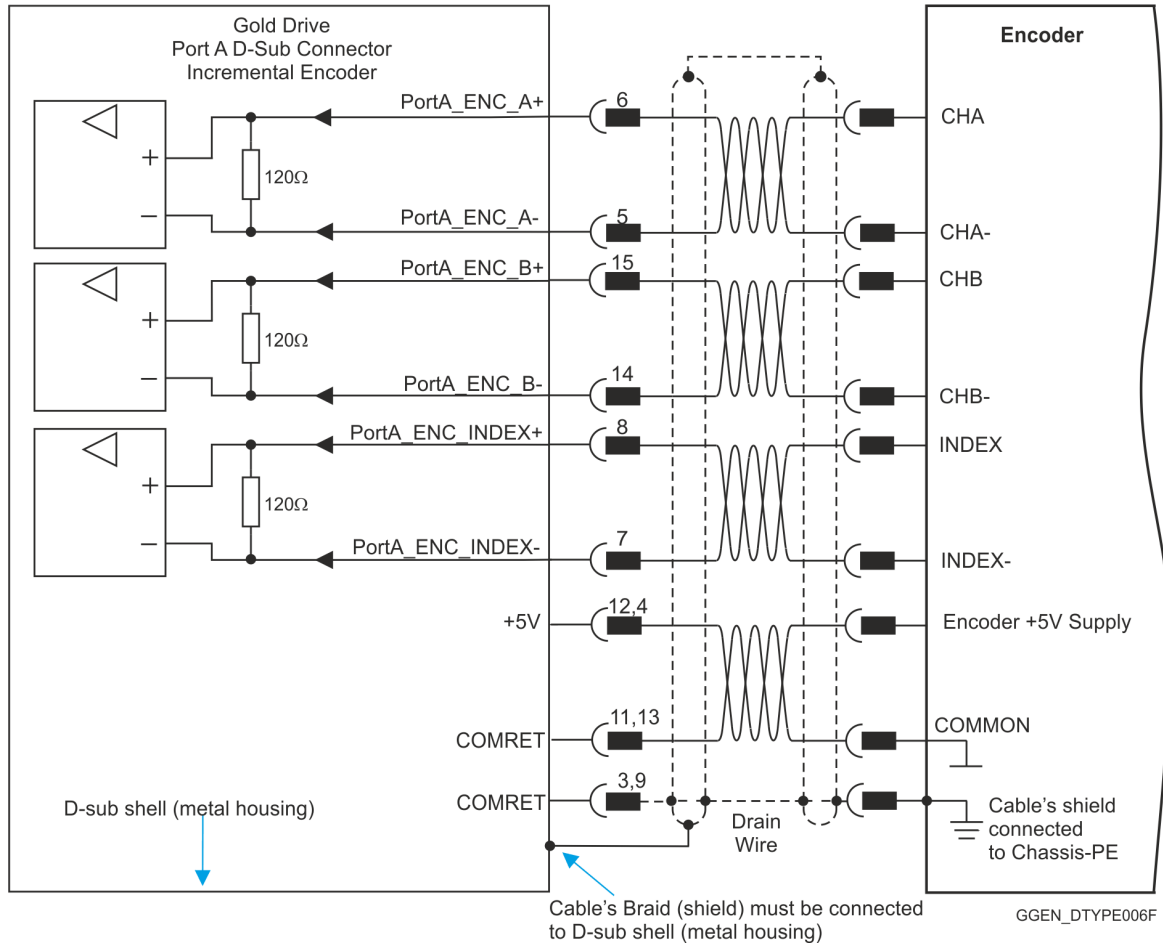


Figure 16: Port A D-Type Incremental Encoder Input – Recommended Connection Diagram

7.5.2 Hall Sensor

The following figure describes the connections at Port A for the Hall Sensor.

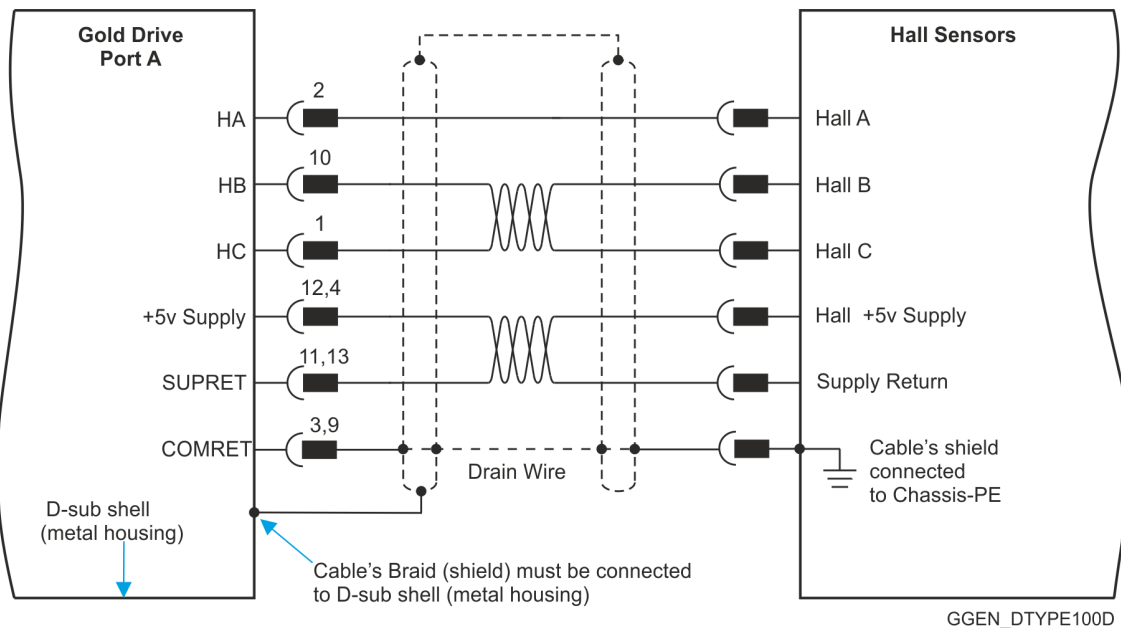


Figure 17: Hall Sensor Connection Diagram

7.5.3 Absolute Serial Type Encoder

The following figures describe the connections at Port A for the Absolute Serial type encoders.

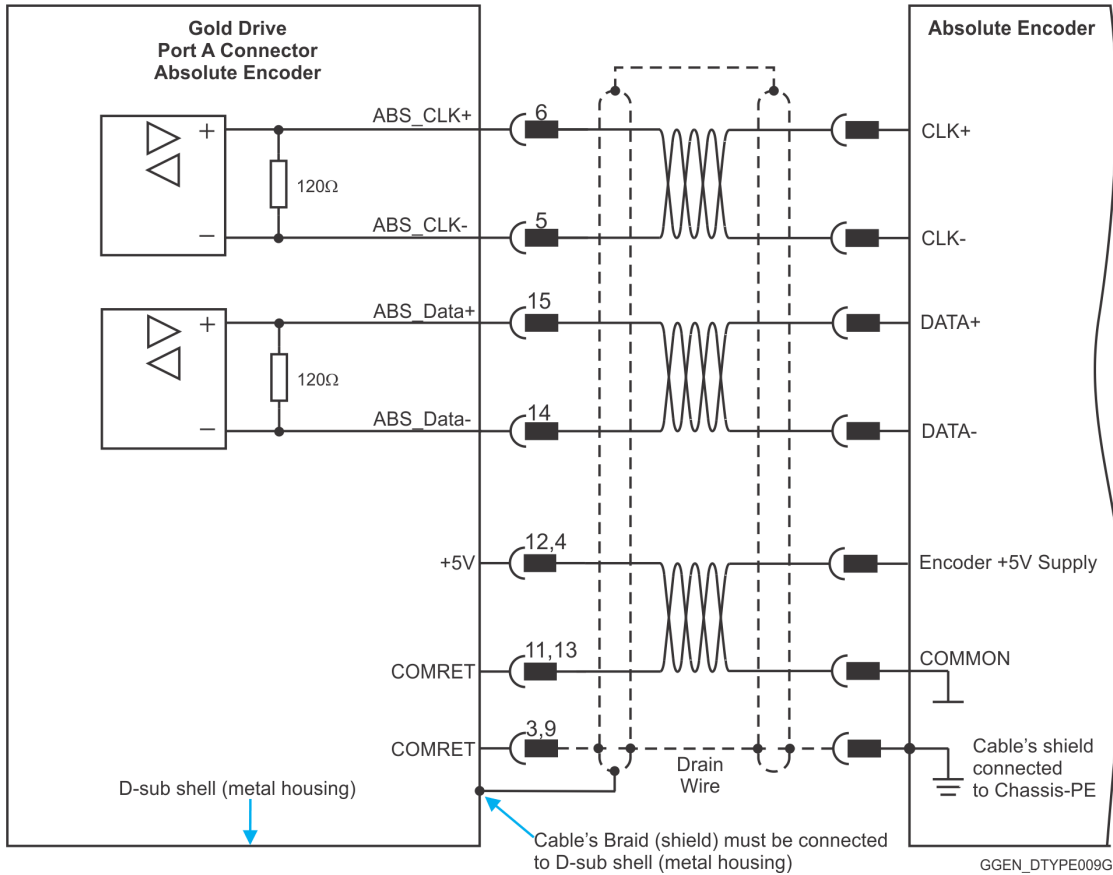


Figure 18: Absolute Serial Encoder – Recommended D-Type Connection Diagram for EnDAT, Biss, and SSI

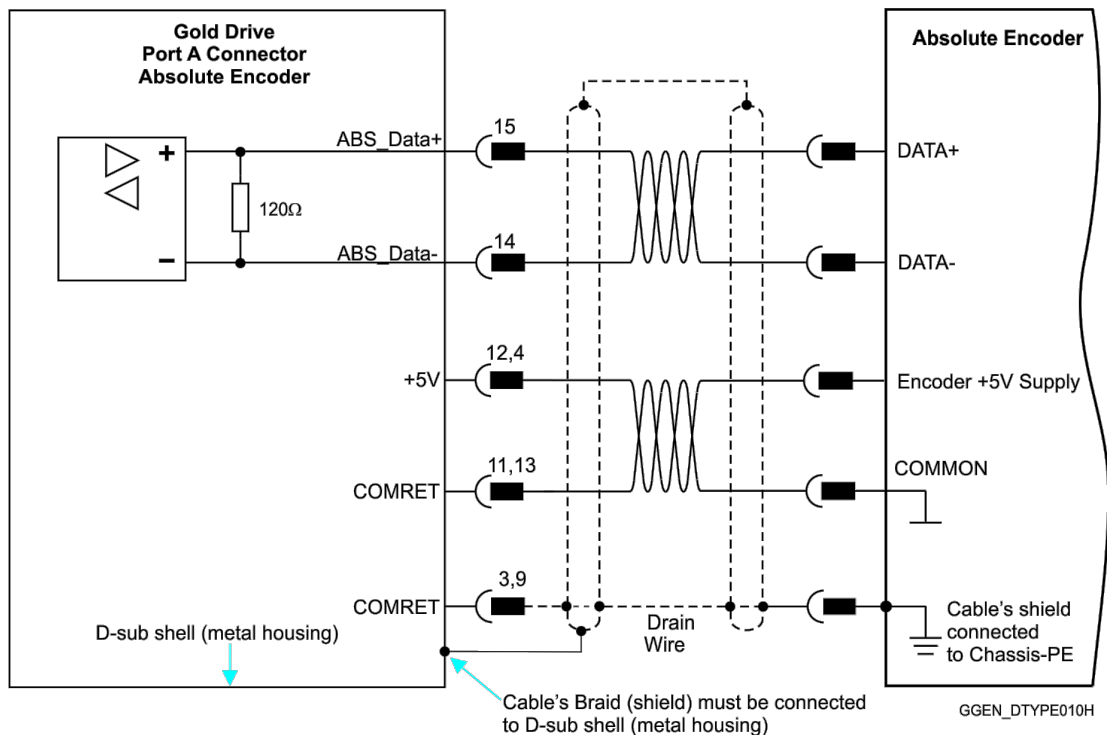


Figure 19: Absolute Serial Encoder – Recommended D-Type Connection Diagram for Sensors Supporting Data Line Only (NRZ types, e.g., Panasonic / Mitutoyo / Sanyo Danki / Tamagawa)

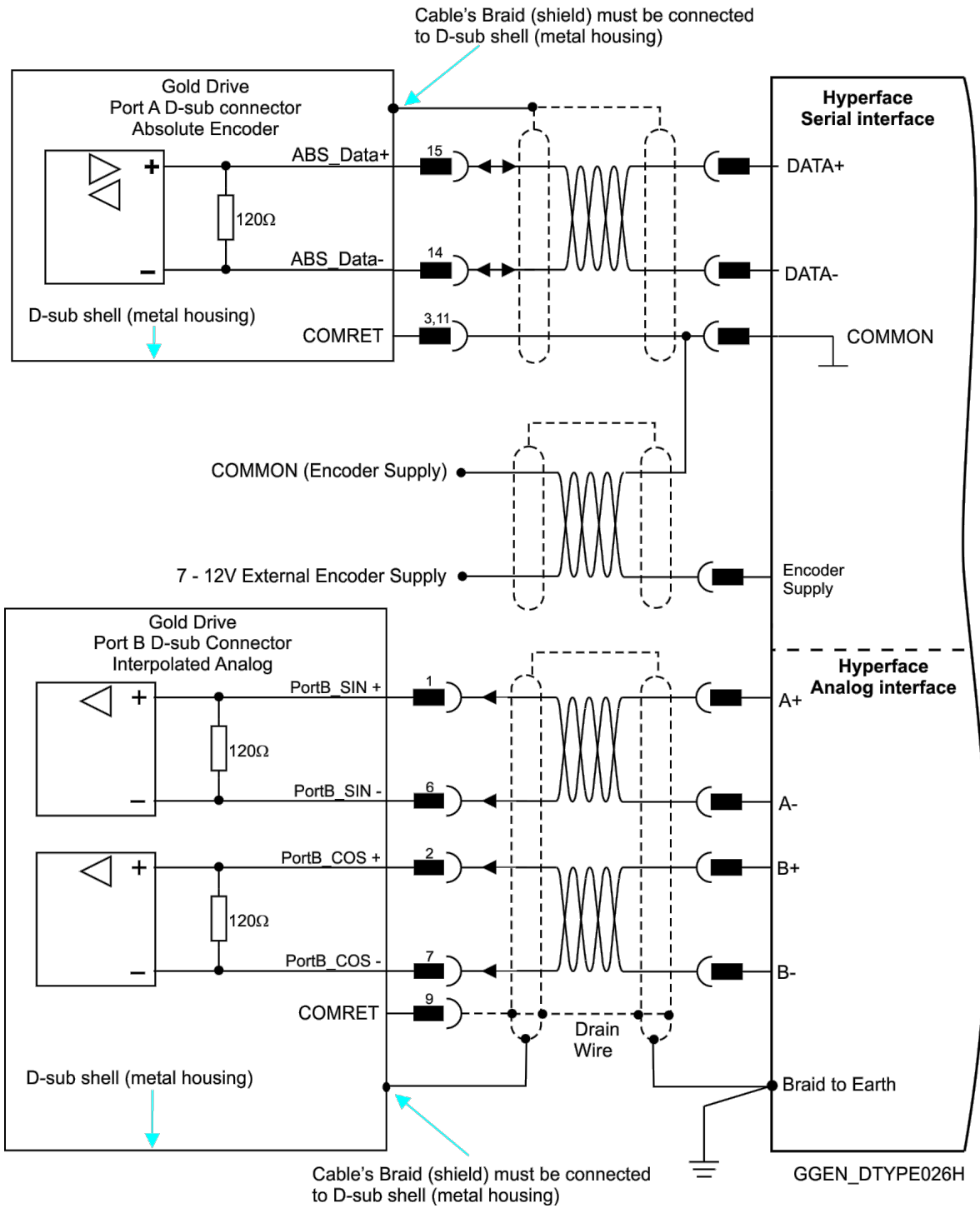


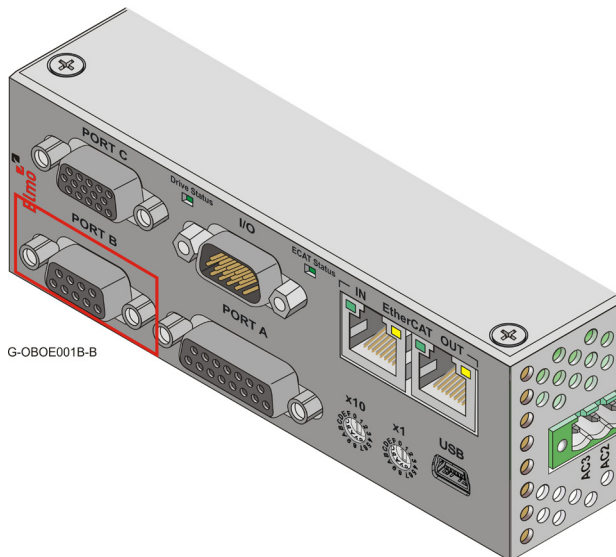
Figure 20: Absolute Serial Encoder – Recommended D-Type Connection Diagram for Stegmann Hiperface

7.6 Port B

See Section 10.4 in the MAN-G-Panel Mounted Drives Hardware manual available from <https://www.elmomc.com/download/4195/>.

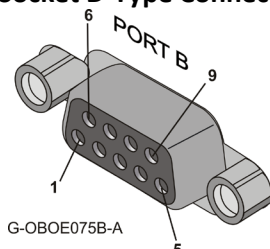
Incremental or Interpolated Analog Encoder			Resolver	
Pin on Port B	Signal	Function	Signal	Function
	G-OBOXX/YYYYEXXX(L)		G-OBOXX/YYYYRXXX(L)	
4	+5V	Encoder +5V supply	NC	NC
5, 9	COMRET	Common Return	COMRET	Common Return
1	PortB_ENC_A+/SIN+	Channel A+ / Sine+	SIN+	Sine+
6	PortB_ENC_A-/SIN-	Channel A- / Sine-	SIN-	Sine-
2	PortB_ENC_B+/COS+	Channel B+ / Cosine+	COS+	Cosine+
7	PortB_ENC_B-/COS-	Channel B- / Cosine-	COS-	Cosine-
3	PortB_ENC_INDEX+	Index+	RESOLVER_OUT+	Vref f=1/TS, 50 mA Max.
8	PortB_ENC_INDEX-	Index -	RESOLVER_OUT-	Vref complement f= 1/TS, 50 mA Max.

Pin Positions

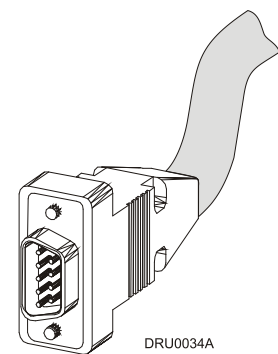


G-OBOE001B-B

9-Socket D-Type Connector



G-OBOE075B-A



DRU0034A

9-Pin D-Type Male Connector

Table 5: Port B Pin Assignments

7.6.1 Incremental Encoder

The following figure describes the connections at Port B for the Incremental encoder.

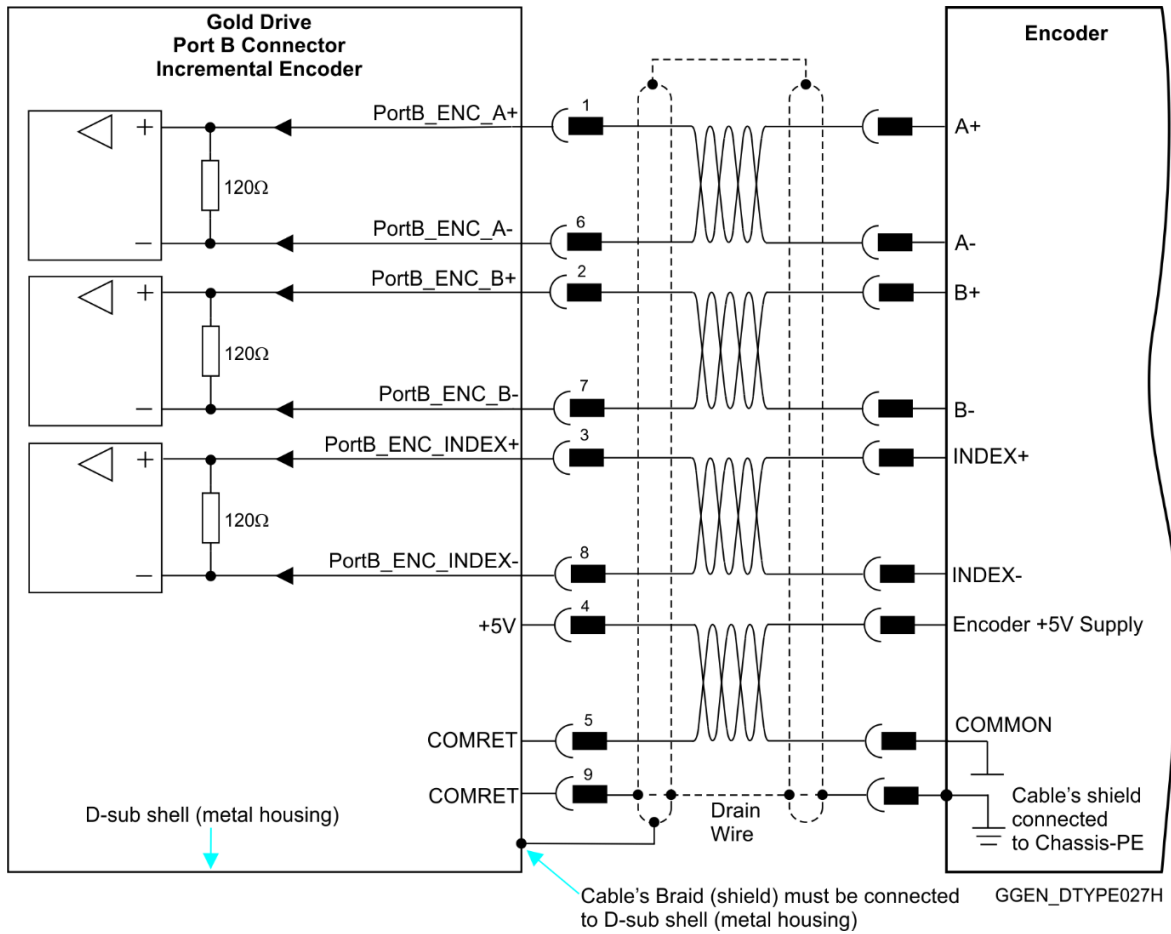


Figure 21: Port B Incremental Encoder Input – Recommended D-Type Connection Diagram

7.6.2 Interpolated Analog Encoder

The following figure describes the connections at Port B for the Interpolated Analog encoder.

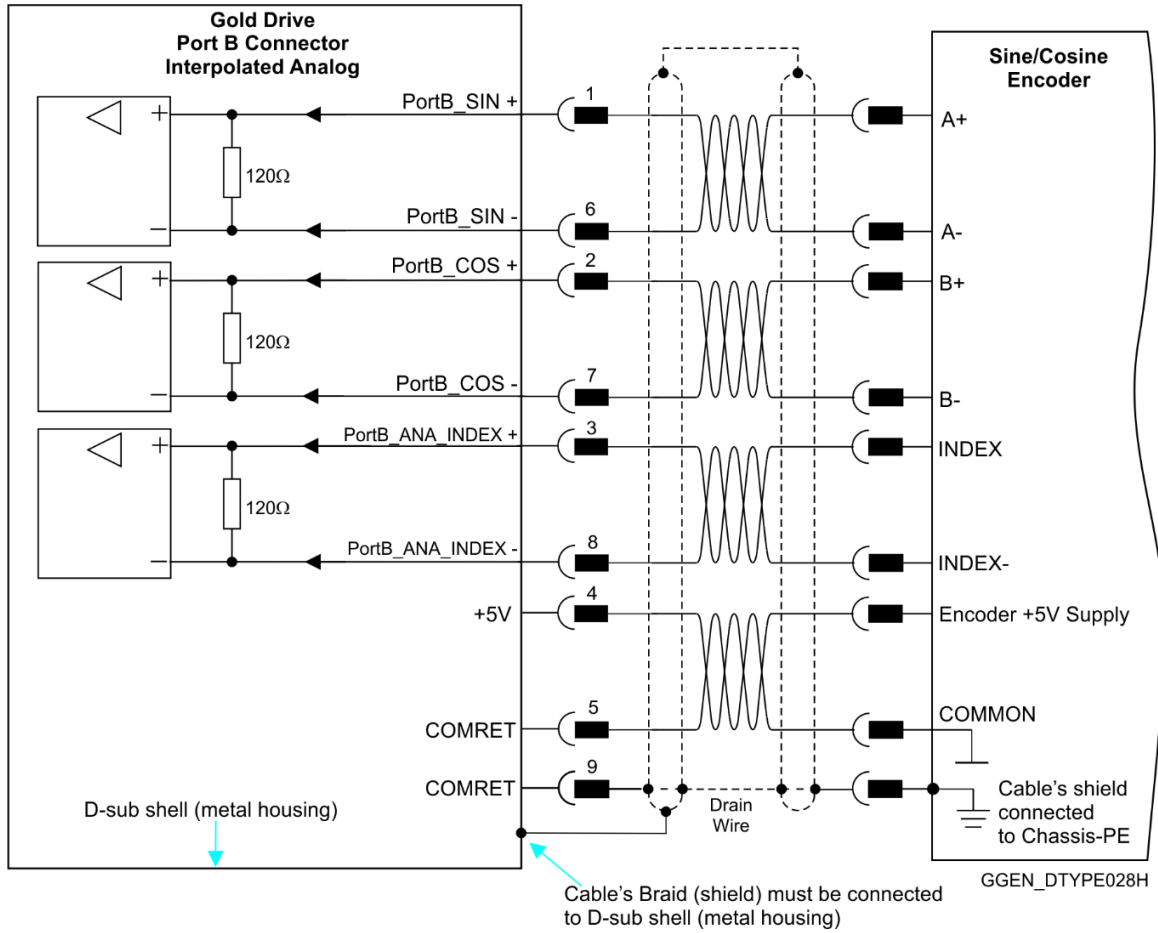


Figure 22: Port B - Interpolated Analog Encoder D-Type Connection Diagram

7.6.3 Resolver

The following figure describes the connections at Port B for the Resolver encoder.

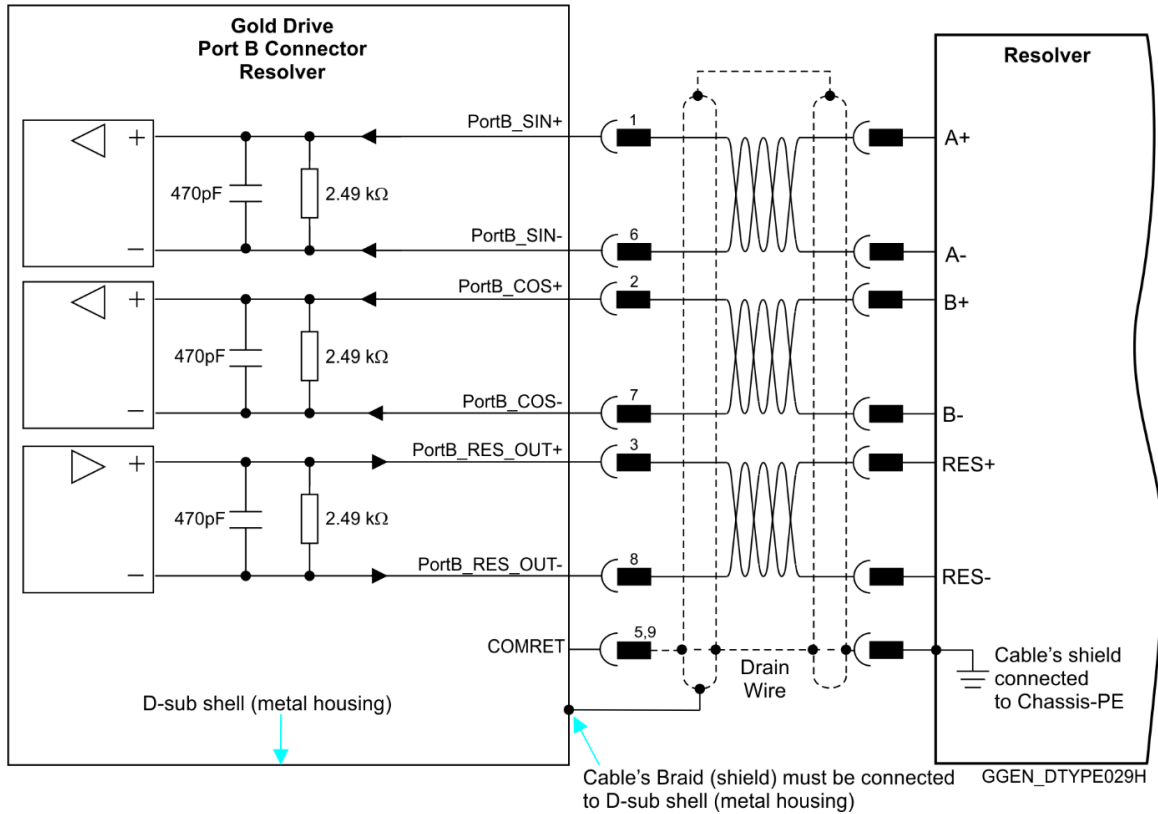


Figure 23: Port B – Resolver D-Type Connection Diagram



7.7 Port C, and Analog Input

The Port C connector includes the following functions:

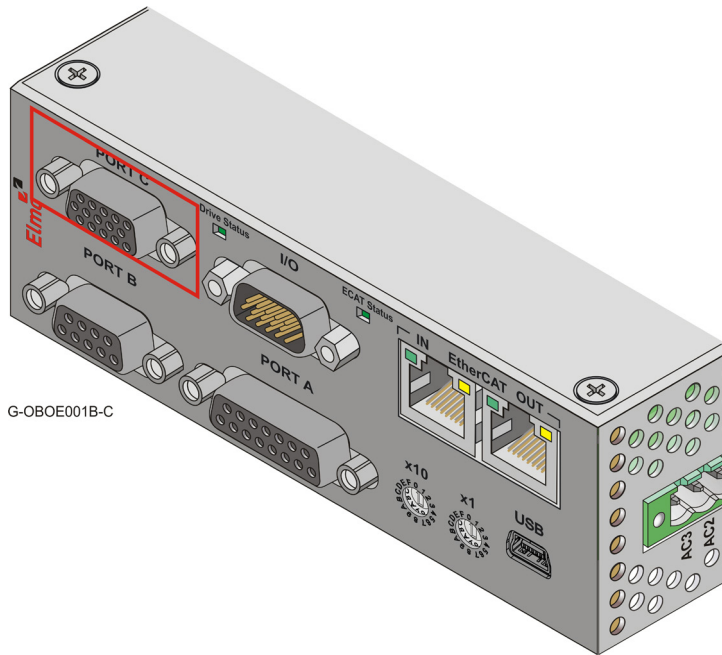
- Port C: Refer to Sections 10.5 in the MAN-G-Panel Mounted Drives Hardware manual for full details
- Analog input: See Section 11.2 in the MAN-G-Panel Mounted Drives Hardware manual for full details.
- STO (For the model; Standard Connectors ([Blank option](#)) – for details of the STO connections refer to section 7.8.)

The MAN-G-Panel Mounted Drives Hardware manual is available from <https://www.elmomc.com/download/4195/>.

Pin on Port C	Signal	Function
1	PortC_ENCO_A+	Buffered Channel A+/Pulse+/PWM+ output
2	PortC_ENCO_A-	Buffered Channel A-/Pulse-/PWM- output
3	PortC_ENCO_B+	Buffered Channel B+/Dir+ output
4	PortC_ENCO_B-	Buffered Channel B-/Dir- output
5	PortC_ENCO_Index+	Buffered Channel INDEX+ output
6	STO1	STO1 Input
7, 12	STO Return Signal	STO Return Signal
8	N/C	N/C
9	COMRET	Common return
10	PortC_ENCO_Index-	Buffered Channel INDEX- output
11	STO2	STO2 Input
13	ANALRET	Analog Input Return
14	ANALOG1-	Analog input 1-
15	ANALOG1+	Analog input 1+

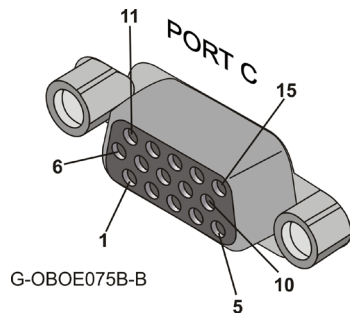


Pin Positions

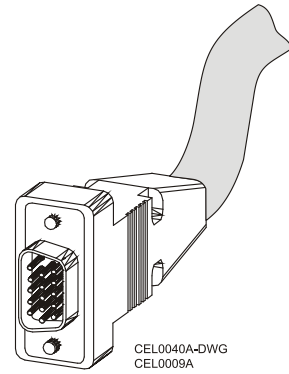


G-OBOE001B-C

15-Socket High Density D-Type Connector



G-OBOE075B-B



CEL0040A-DWG
CEL0009A

15-Pin High Density D-Type Male Connector

Table 6: Port C Pin Assignments

7.7.1 Port C

The following figure describes the connections at Port C for the Encoder Differential.

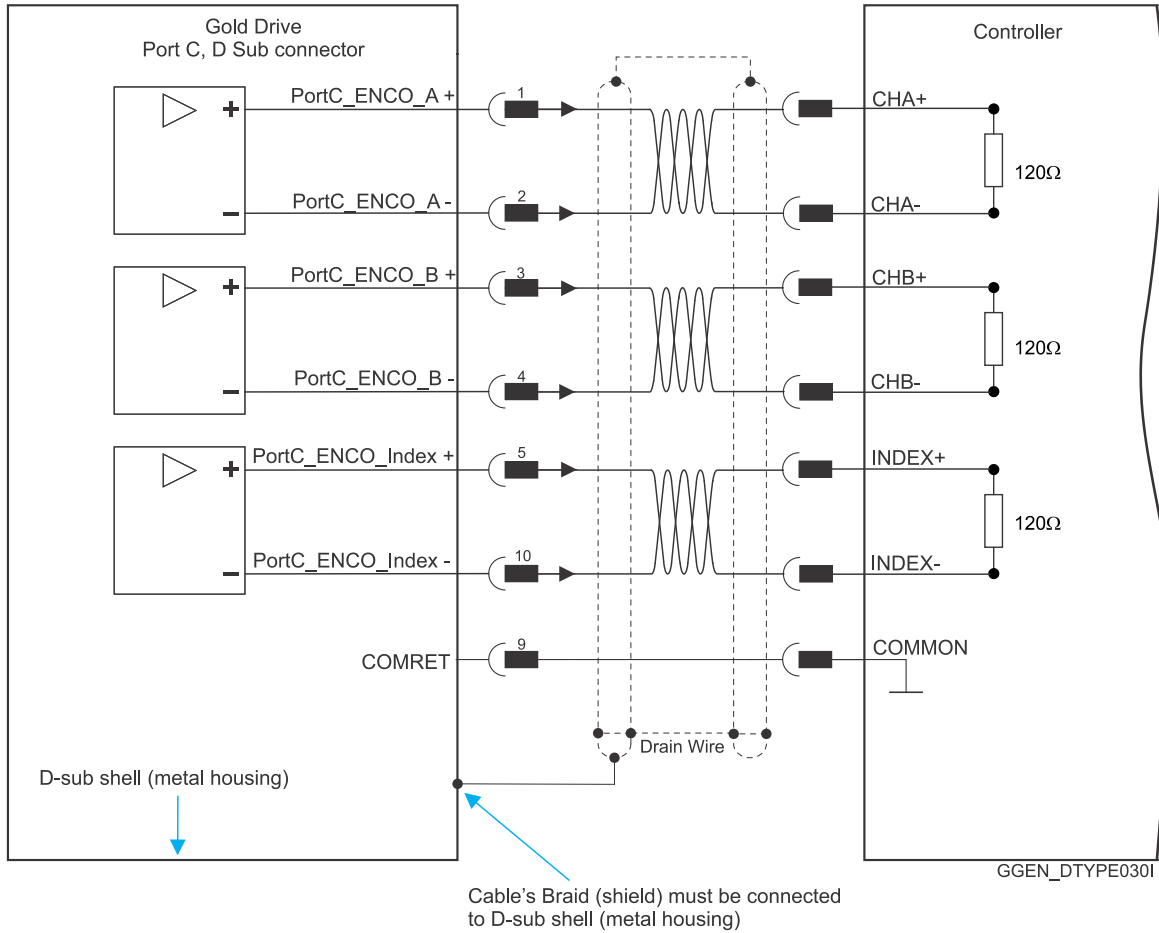


Figure 24: Encoder Differential Output – Recommended D-Type Connection Diagram

7.7.2 Analog Input

The following circuit describes the internal interface of the Analog input.

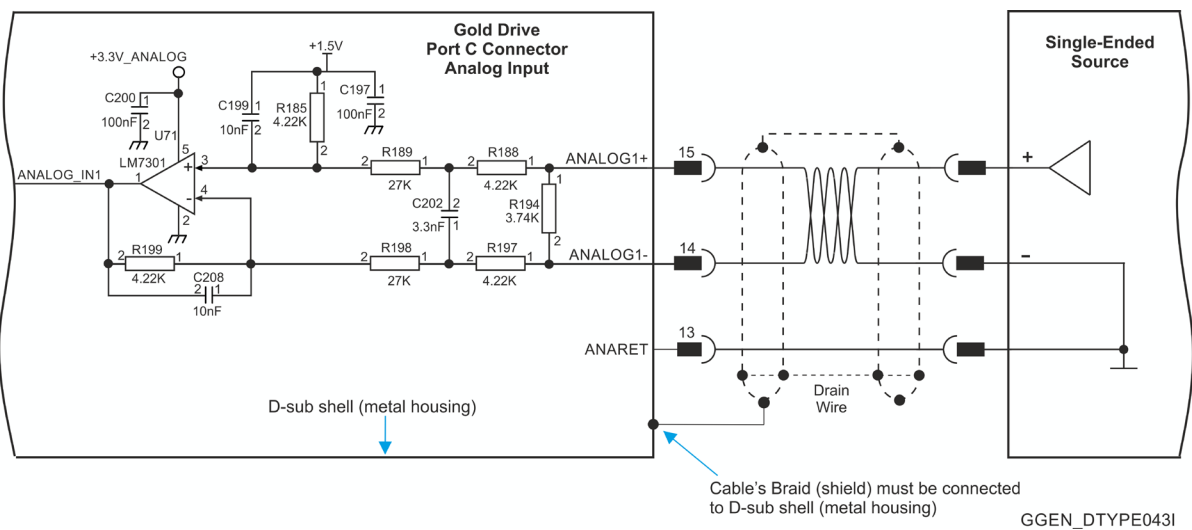


Figure 25: Differential Analog D-Type Input

7.8 STO

There are two optional versions of the Gold Oboe:

- Standard Connectors (**Blank option**) – STO is available as part of the Port C connector
- Lock Type Connectors (**L option**) – STO is available as part of the Auxiliary Power connector

7.8.1 STO via Standard Connectors (**Blank option**)

The Port C connector includes STO; See Chapter 9 in the MAN-G-Panel Mounted Drives Hardware manual for full details. The MAN-G-Panel Mounted Drives Hardware manual is available from <https://www.elmomc.com/download/4195/>.

The STO Pinouts on the Port C connector are as follows:

Pin on Port C	Signal	Function
6	STO1	STO1 Input
7, 12	STO Return Signal	STO Return Signal
11	STO2	STO2 Input

Pin Positions

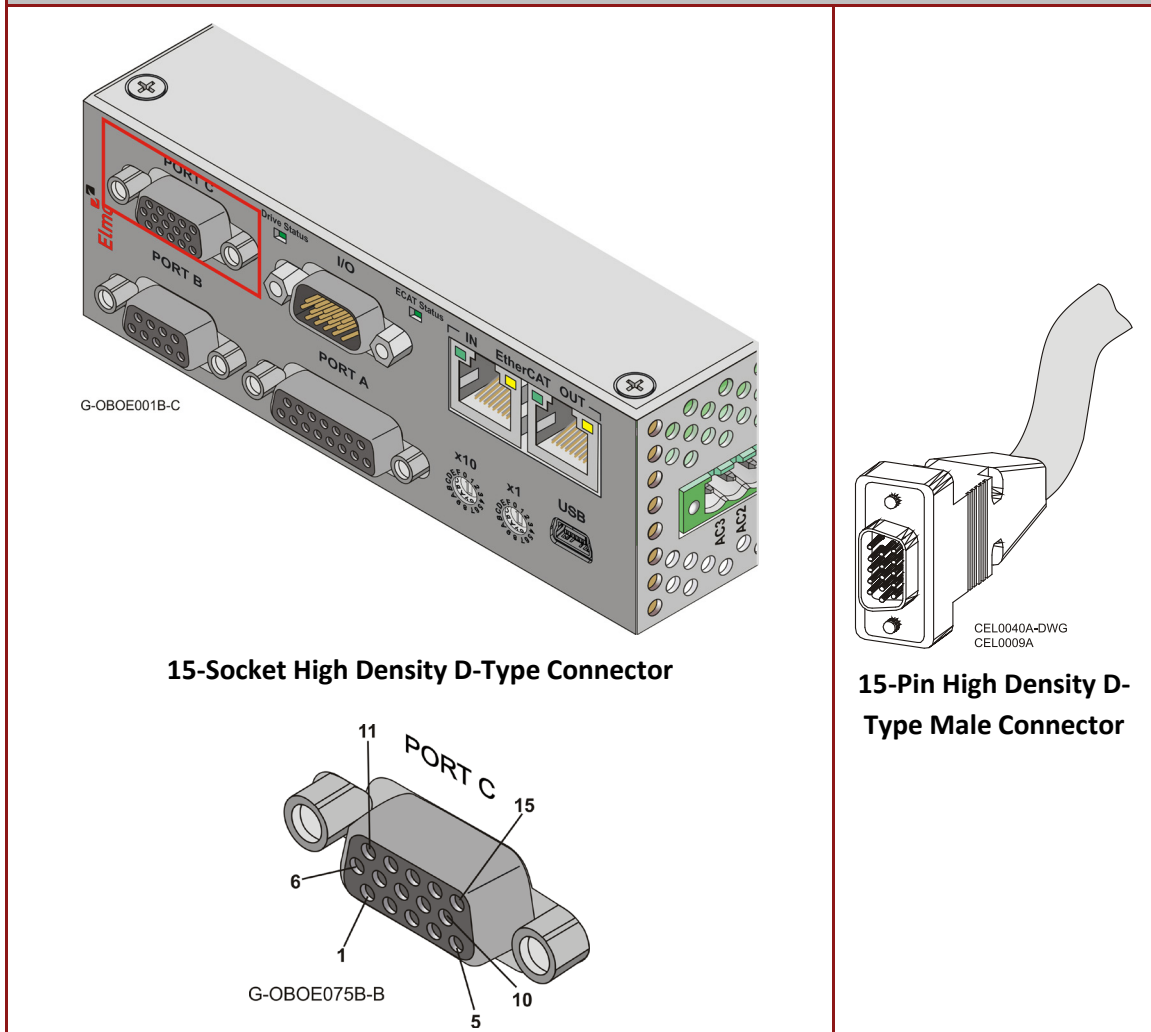


Table 7: STO as part of Port C Pin Assignments

7.8.2 STO via Lock Type Connectors (L option)

Pin	Function	Cable
STO1	STO input 1	
STO2	STO Input 2	
STORET	STO Return	

Pin Positions

<p style="text-align: right;">G-OBOE-002B-B</p>	<p style="text-align: center;">6-Pin Pluggable 3.81 mm Screw Flange Phoenix Connector</p>
---	--

Table 8: STO as part of Auxiliary Power Pin Assignments

7.8.3 STO Wiring Options

The following circuits describe the STO wiring options.

7.8.3.1 Source Mode PLC Voltage Level

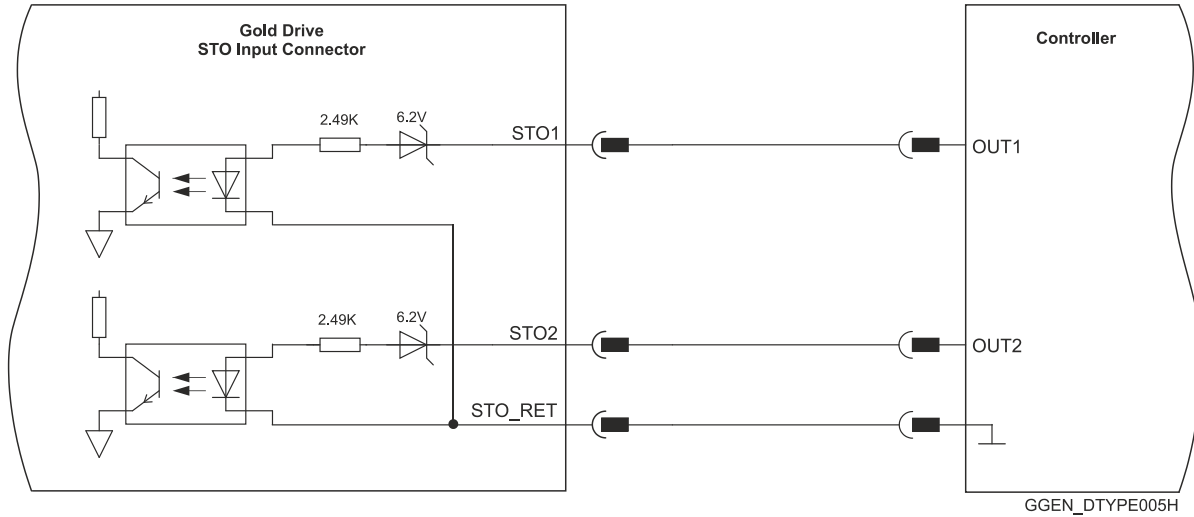


Figure 26: STO Input Connection – PLC Source Option

7.8.3.2 TTL Mode TTL Voltage Level

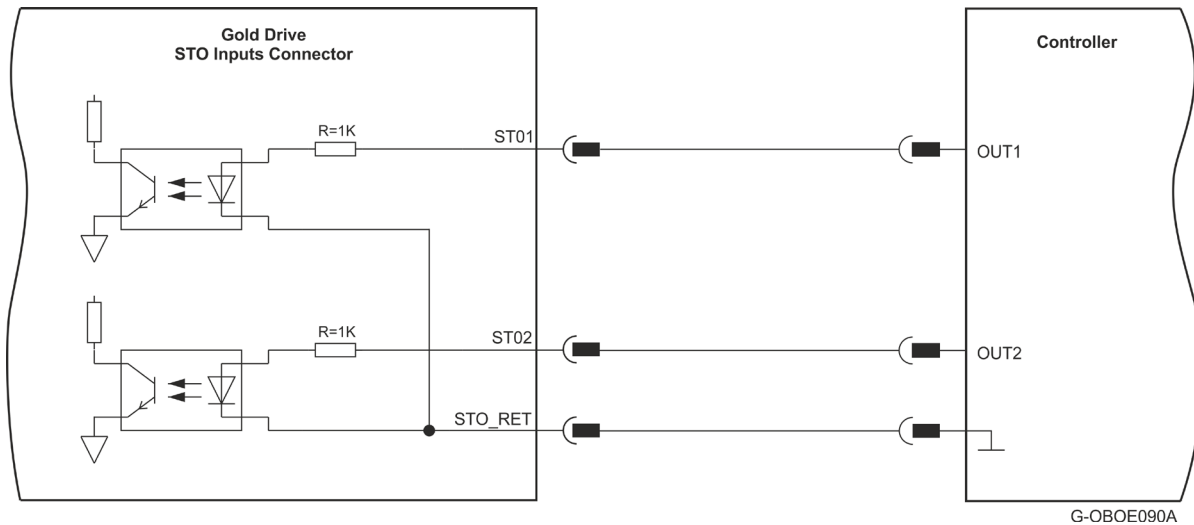


Figure 27: STO Input Connection – TTL Option



7.8.3.3 STO Output

There are two available options, as preordered according the customer request (Cat. Number):

- I/O and STO type without STO STATUS OUT
- I/O and STO type with STO STATUS OUT

If the STO STATUS OUT is configured, then OUT4 and IN6 will not be available. Refer to Figure 28 below for details of the connections. **Refer to Chapter 9 in the MAN-G-Panel Mounted Drives Hardware manual for full details.**

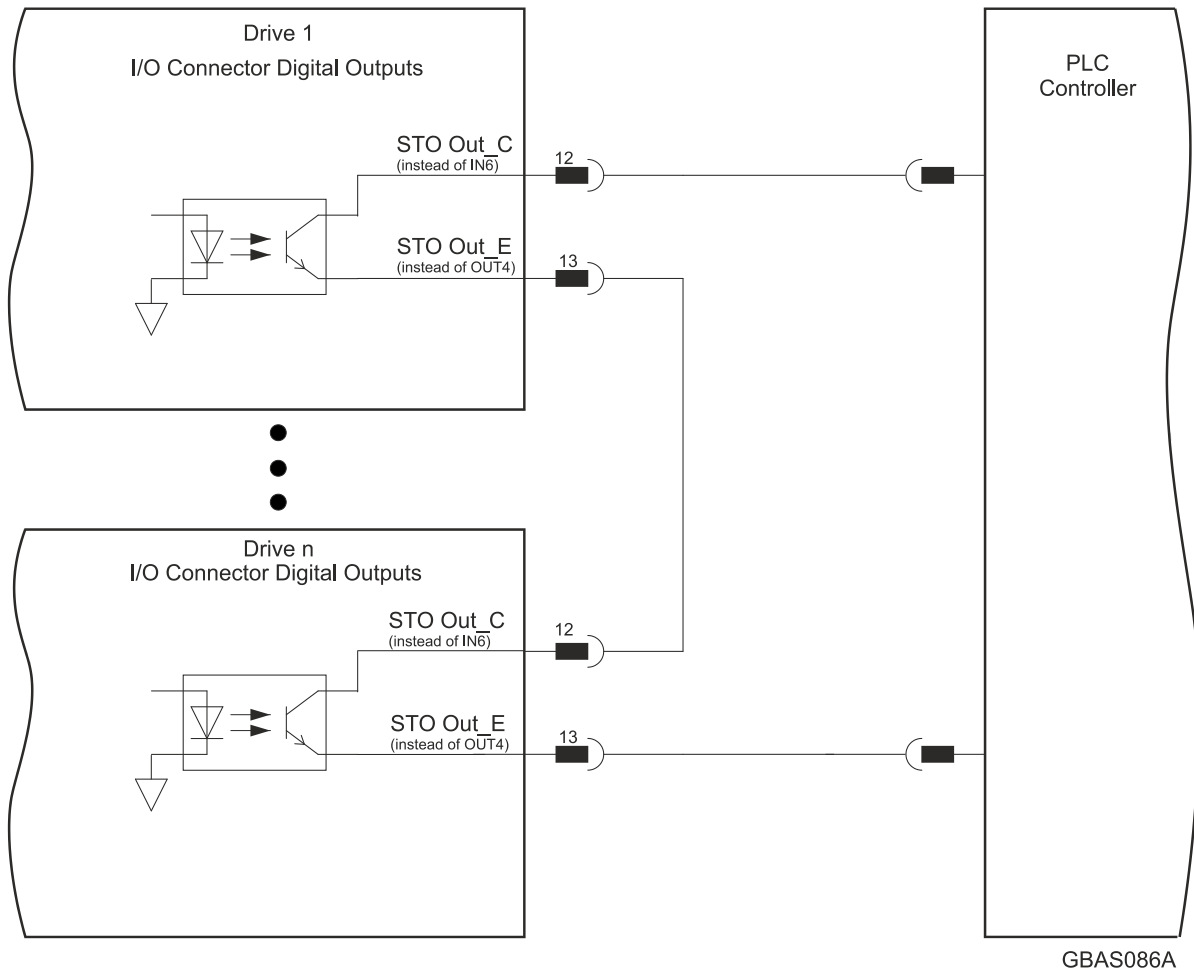


Figure 28: STO Output



7.9 Digital Inputs and Outputs

Refer to Chapter 11 in the in the MAN-G-Panel Mounted Drives Hardware manual available from <https://www.elmomc.com/download/4195/>. for full details.

I/O Pins	Signal	Function
1	IN1	Programmable input 1
2	IN2	Programmable input 2
7	IN3	Programmable input 3
8	IN4	Programmable input 4
11	IN5	Programmable input 5
12	IN6	Programmable input 6
		or STO OUT Collector in the O version
6	INRET 1-6	Inputs 1 to 6 return for the S/T version
		Positive input 1 to 6 for the H/A version
3	OUT1	Programmable output 1
4	OUT2	Programmable output 2
5	OUT3	Programmable output 3
13	OUT4	Programmable output 4
		or STO OUT Emitter in the O version
10, 15	VDD	Supply for out 1-4
9, 14	VDDRET	Supply return for out 1-4

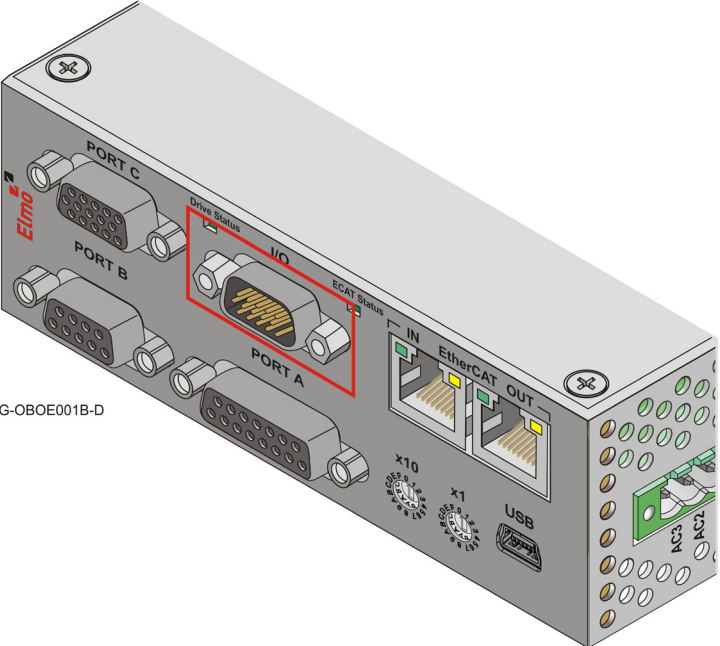
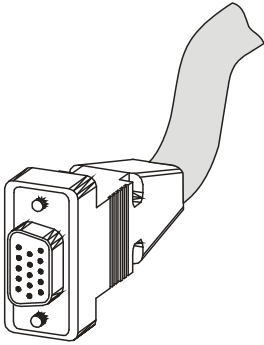
I/O Pins	Signal	Function
Pin Positions		
 <p data-bbox="268 734 373 757">G-OBOE001B-D</p> <p data-bbox="363 1003 895 1037">15-Pin High Density D-Type Male Connector</p> <p data-bbox="464 1317 603 1339">G-OBOE075B-C</p>		 <p data-bbox="1086 987 1374 1048">15-Pin High Density D-Type Female Connector</p>

Table 9: I/O Connector Pin Assignments

7.9.1 Digital Input and Output TTL Mode

The following figure describes the connections at the I/O Port for the Digital Input and Output TTL Mode.

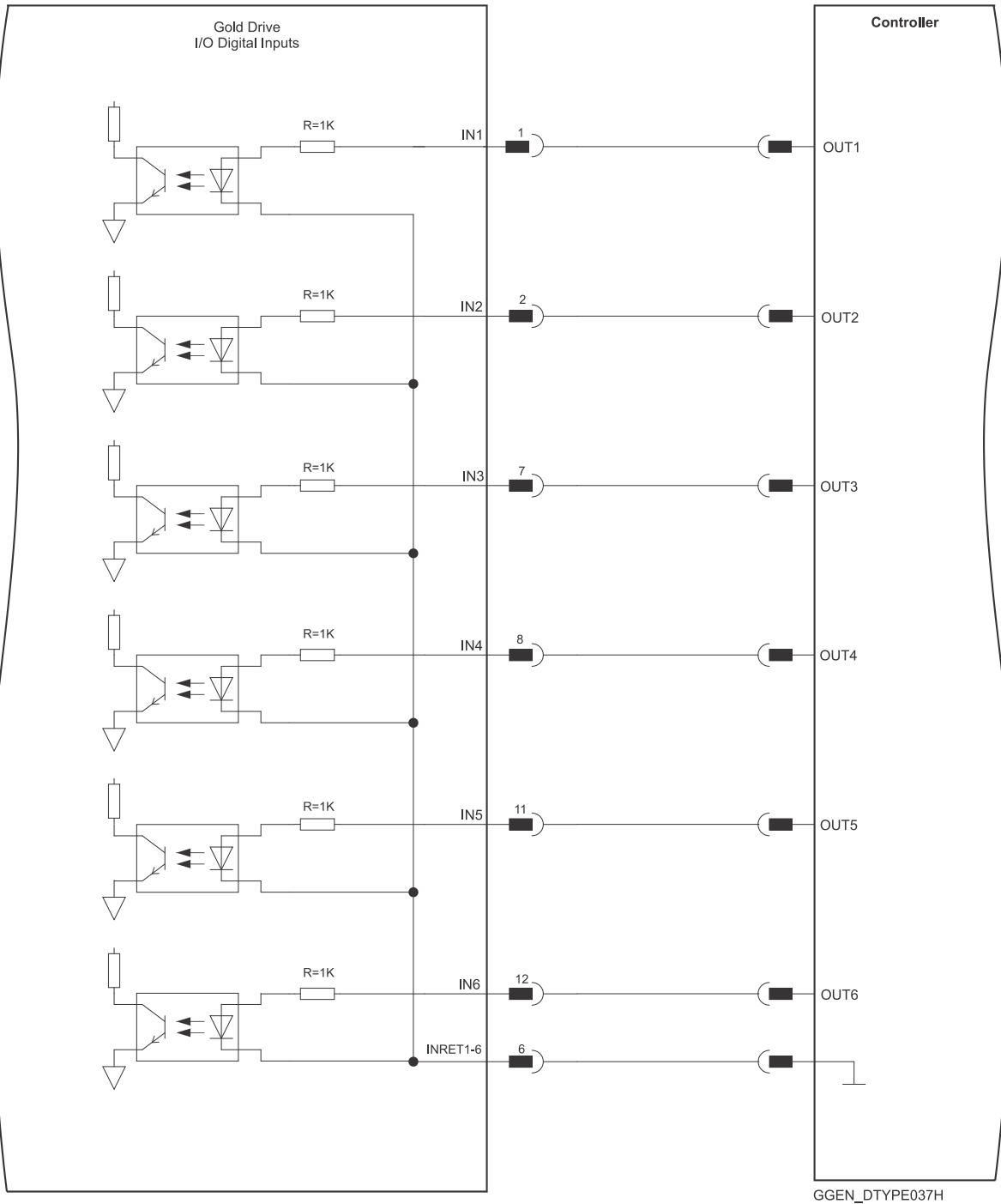


Figure 29: Digital Input D-Type Connection Diagram – TTL Option

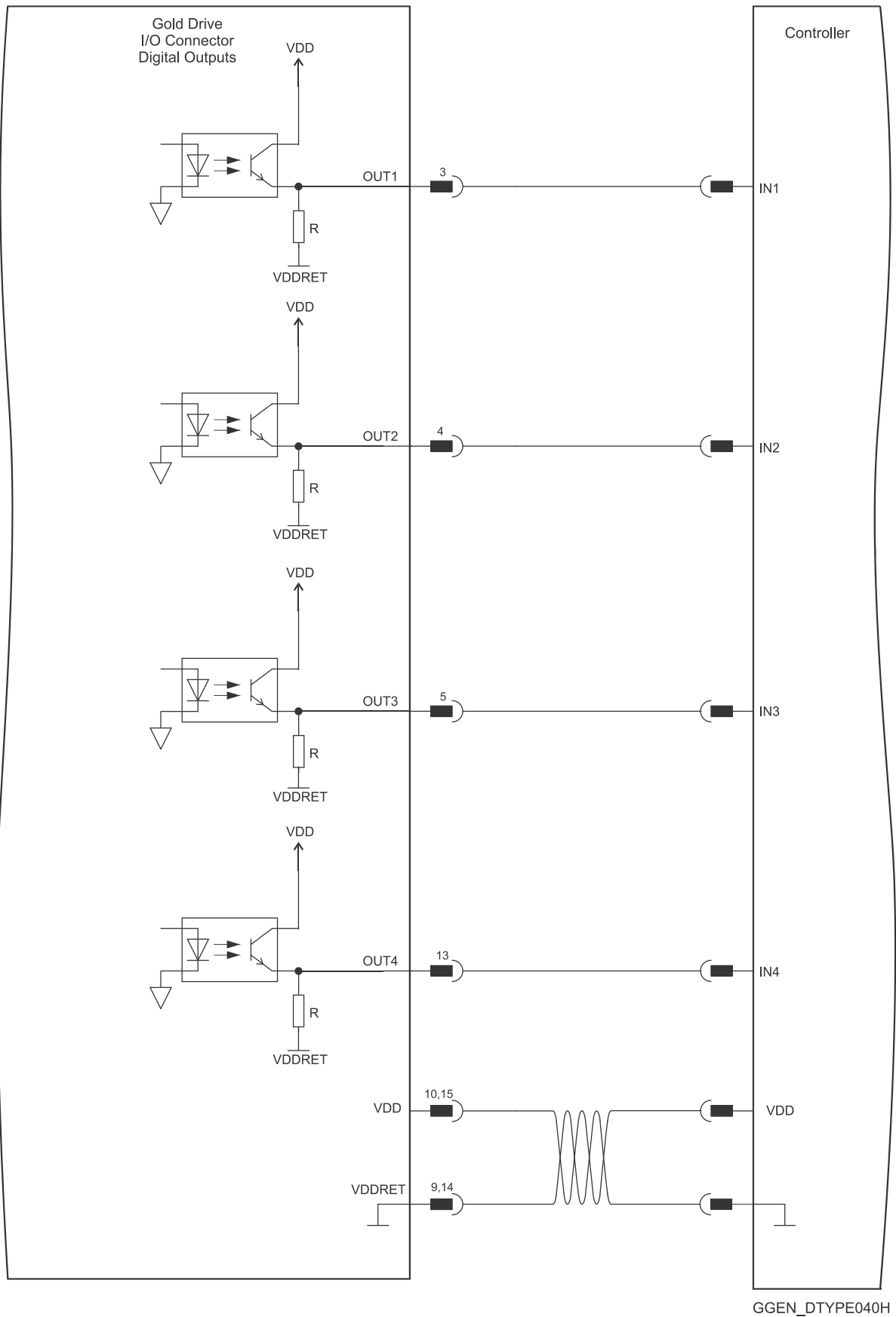


Figure 30: Digital Output D-Type Connection Diagram – TTL Option



7.9.2 Digital Input and Output PLC Source Mode

The following figure describes the connections at the I/O Port for the Digital Input and Output PLC Mode.

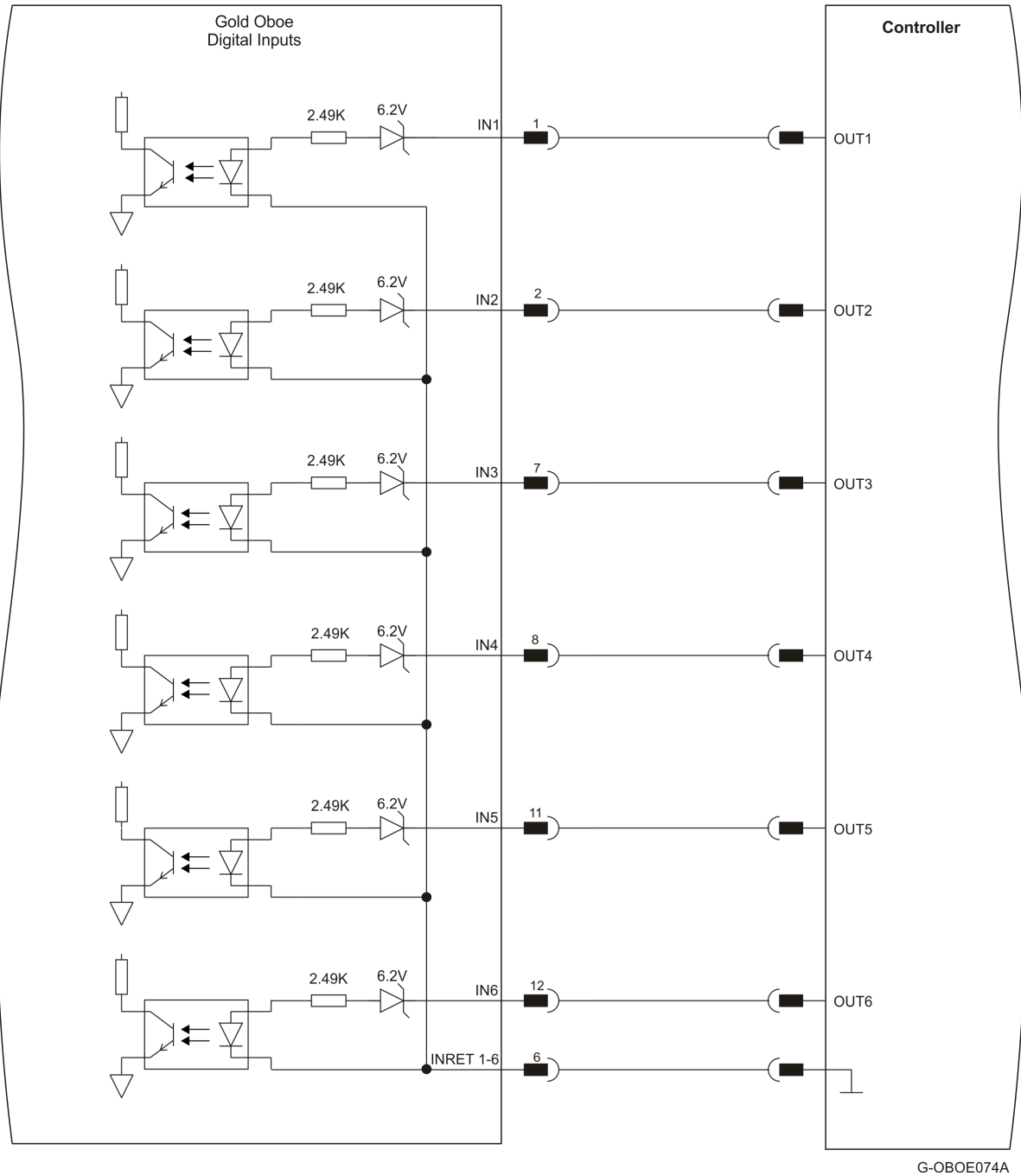
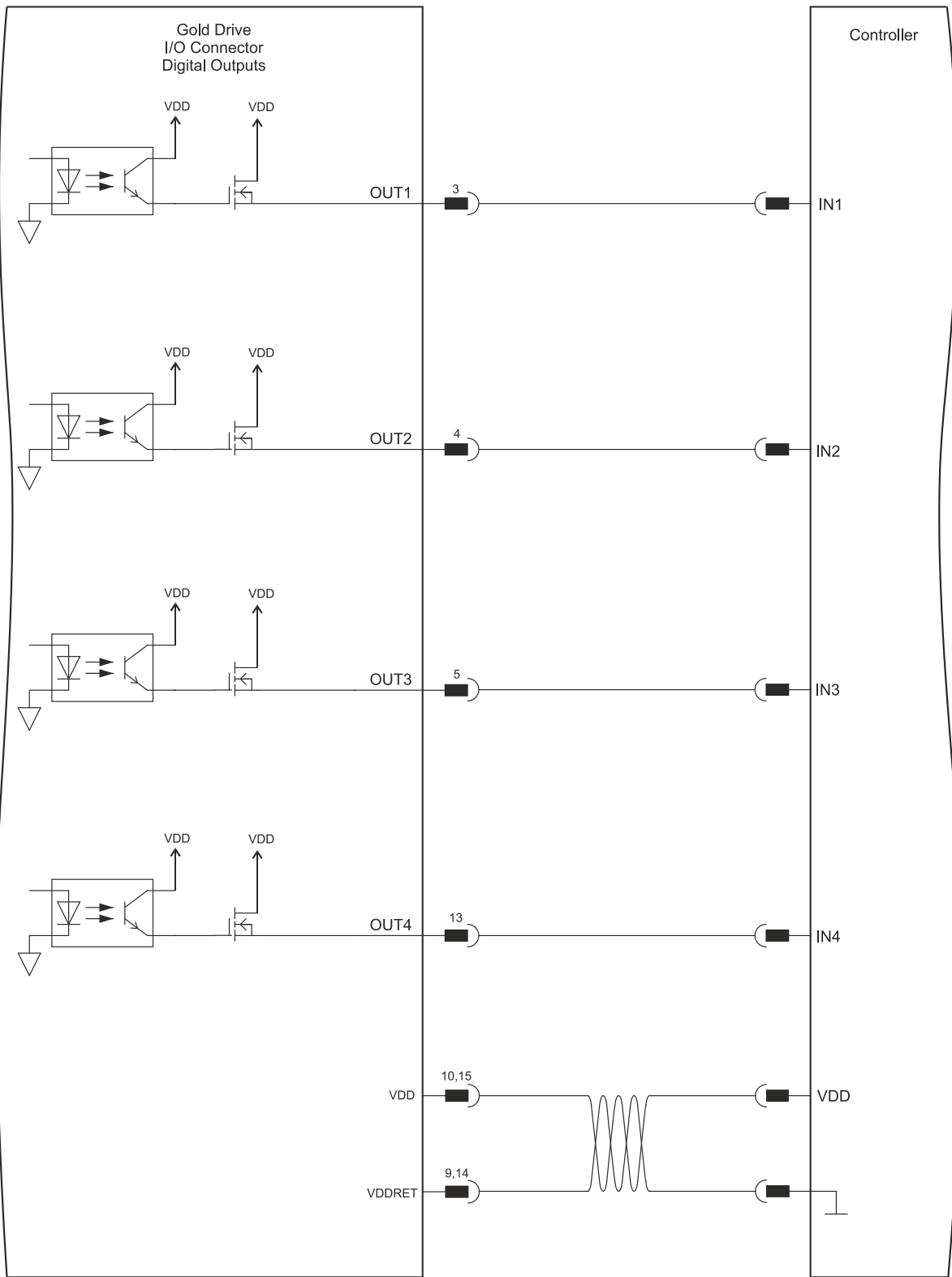


Figure 31: Digital Input D-Type Connection Diagram – Source PLC Option



GGEN_DTYPE0411

Figure 32: Digital Output D-Type Connection Diagram – Source PLC Option



7.9.3 Digital Input and Output Sink Mode

The following figure describes the connections at the I/O Port for the Digital Input and Output Sink Mode.

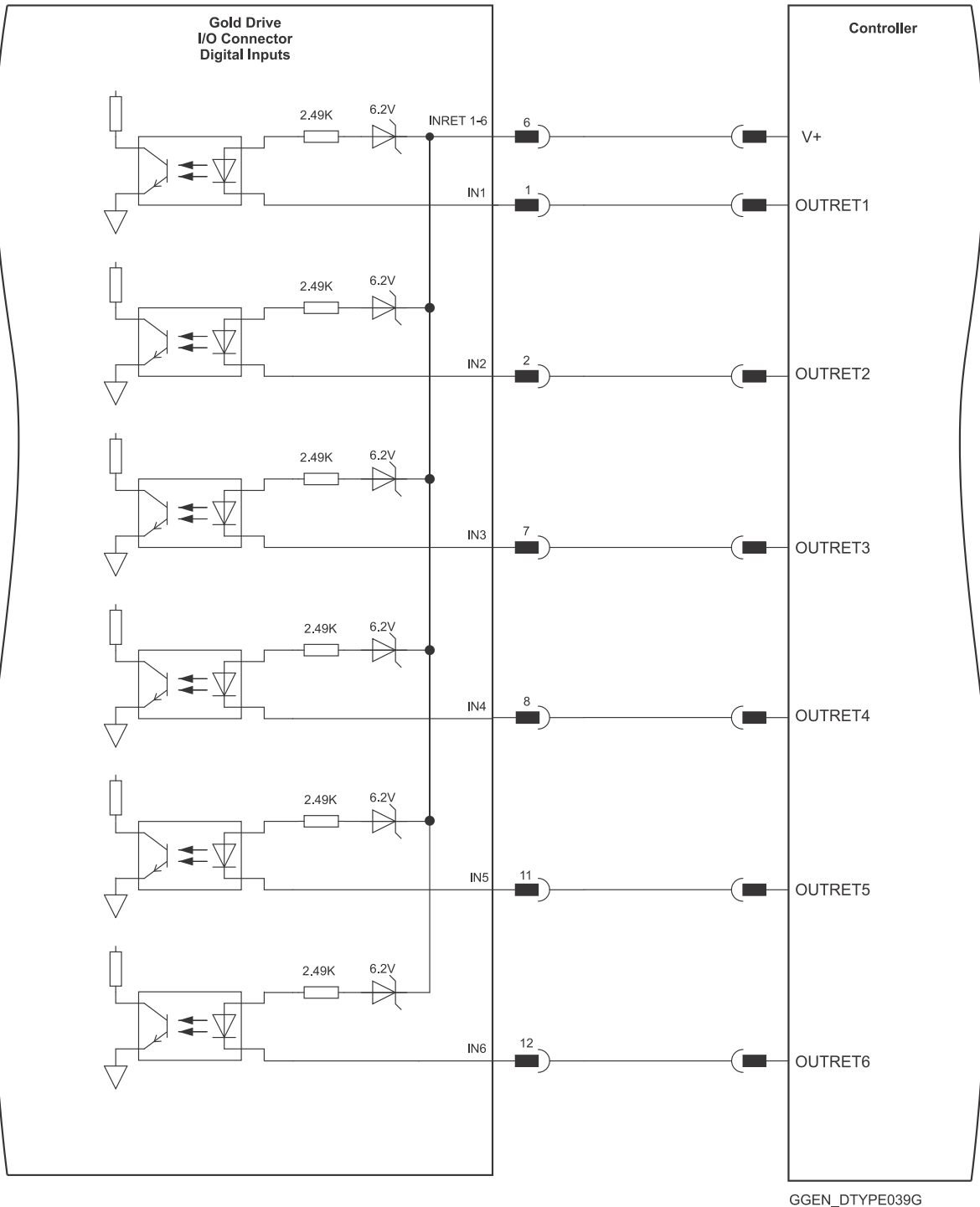


Figure 33: Digital Input D-Type Connection Diagram - Sink PLC Mode

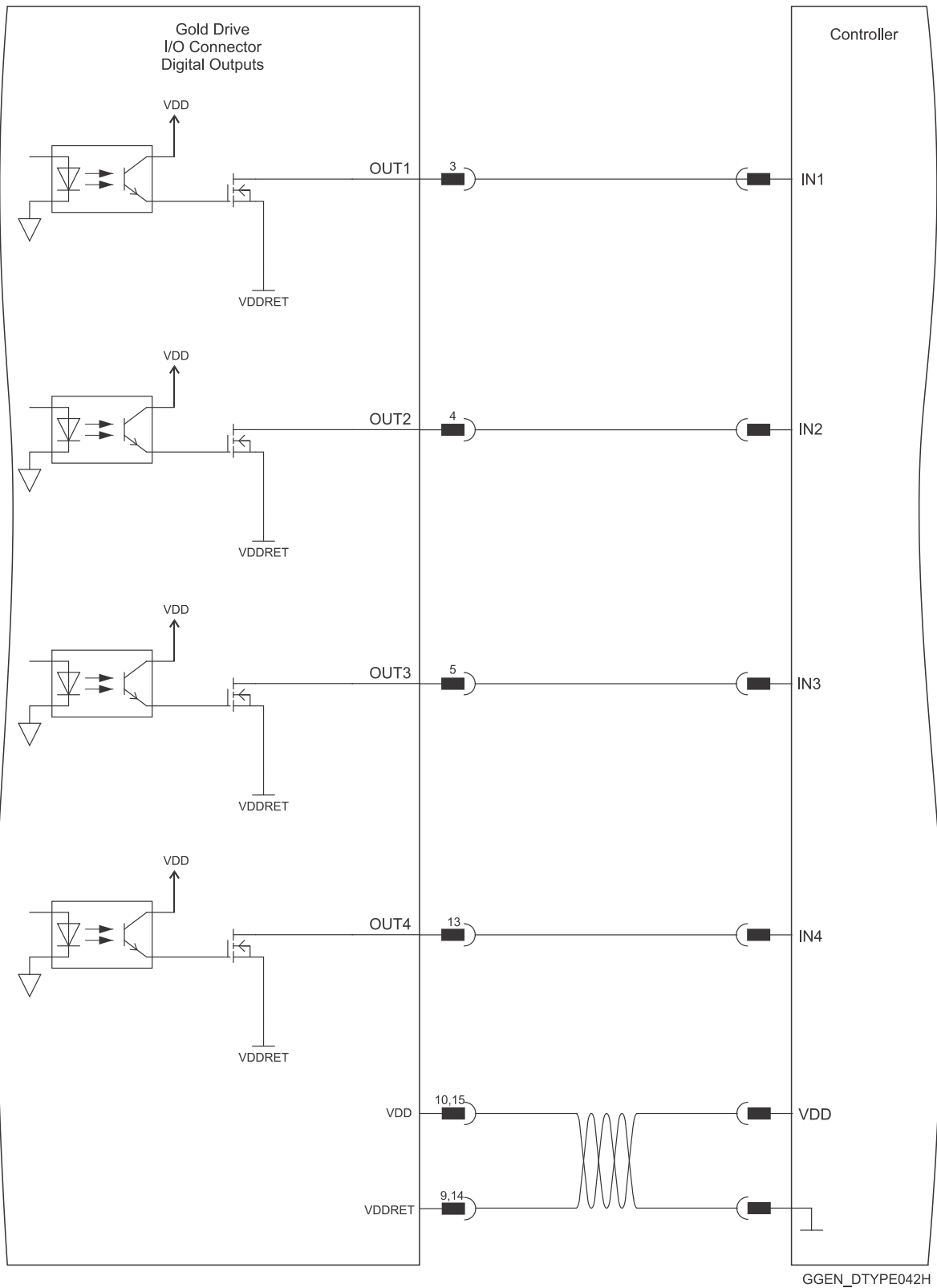


Figure 34: Digital Output D-Type Connection Diagram - Sink Mode

7.10 USB 2.0

Refer to Section 12.1 in the MAN-G-Panel Mounted Drives Hardware manual available from <https://www.elmomc.com/download/4195/>. for full details.

Pin on USB	Signal	Function
1	USB VBUS	USB VBUS 5V Detector
2	USBD-	USB _N line
3	USBD+	USB _P line
5	USB COMRET	USB communication return

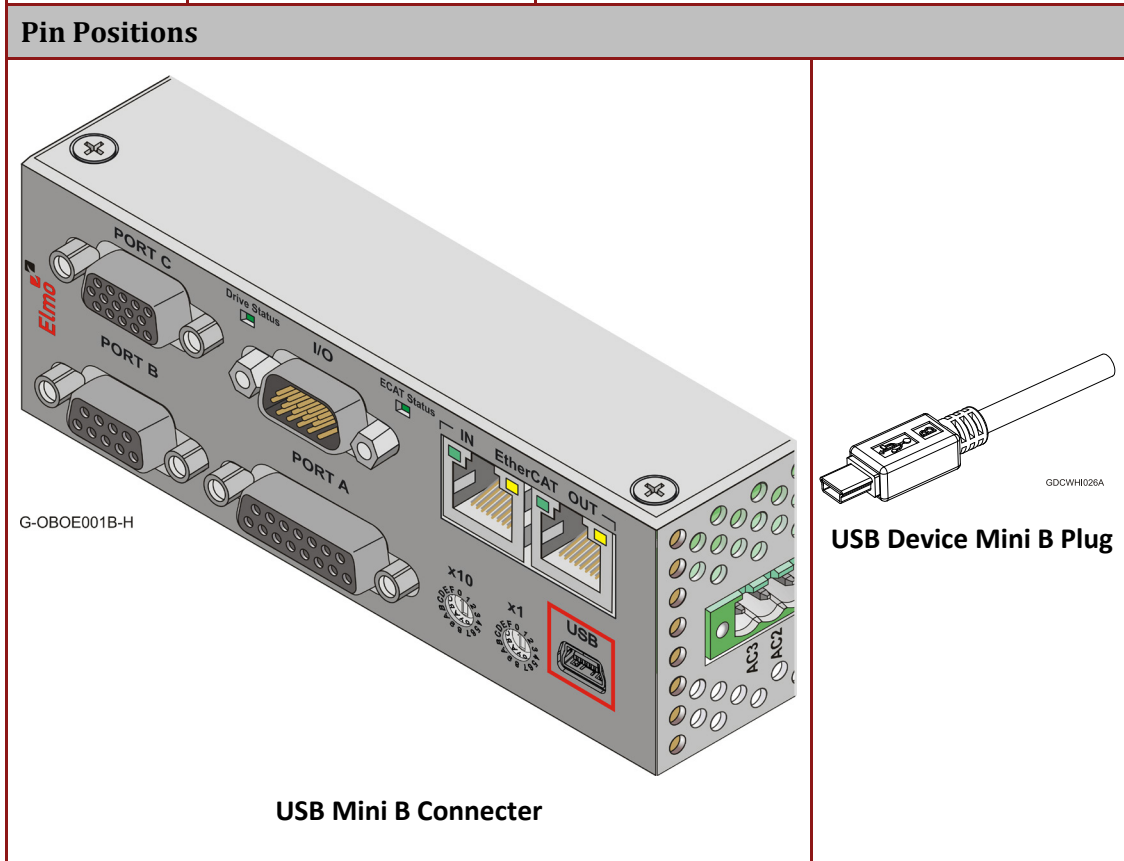


Table 10: USB 2.0 Pin Assignments

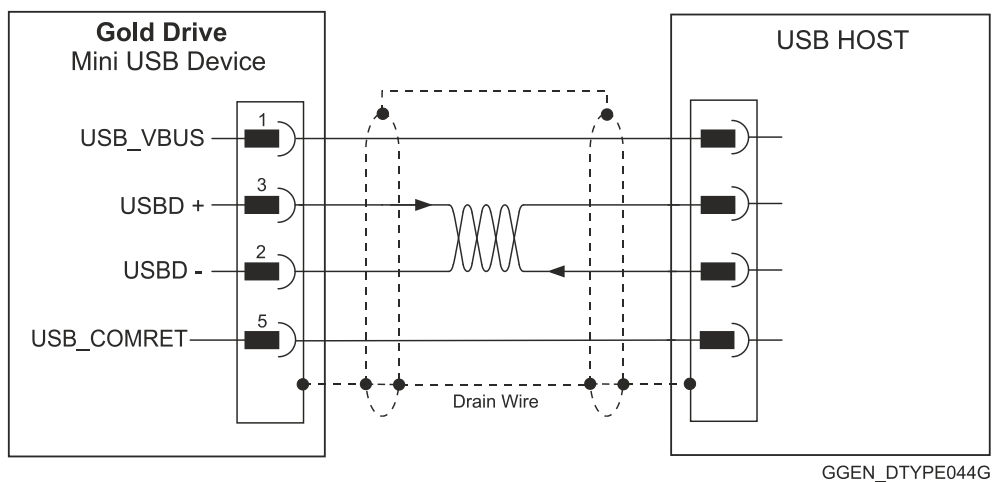
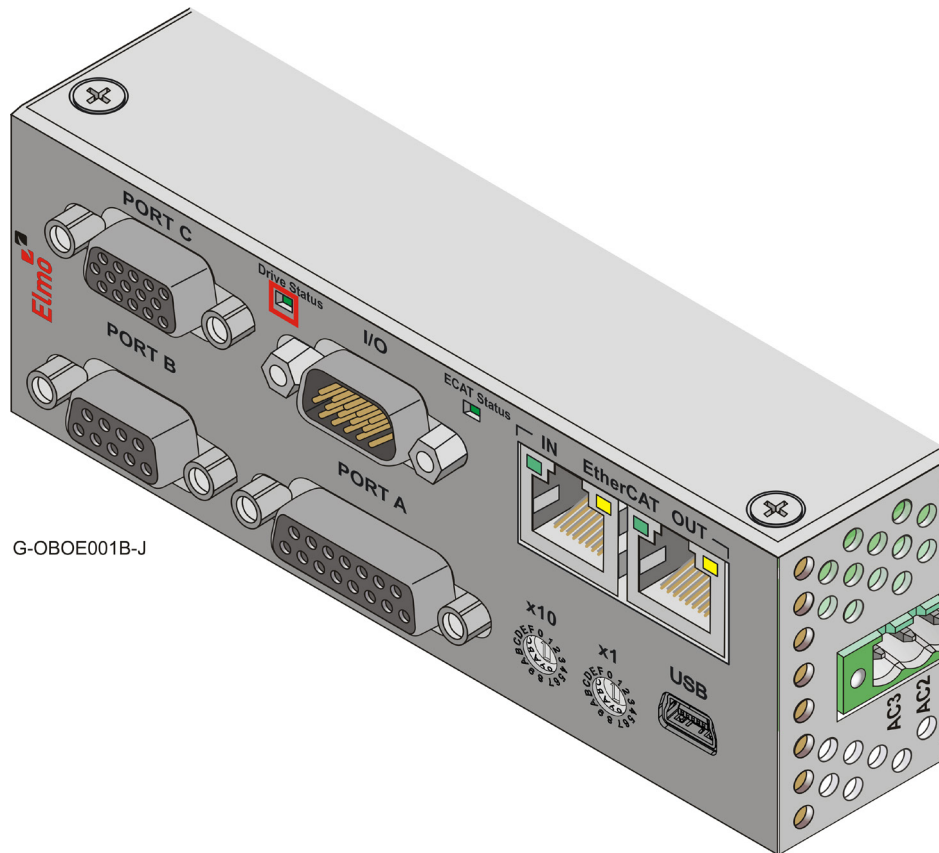


Figure 35: USB Network Diagram



7.11 Drive Status Indicator

The Gold Oboe is equipped with several light-emitting diode (LED) indicators.



The red/green dual LED is used for immediate indication of the following states:

- **Initiation state:** In this state the LED indicates whether the drive is in the boot state (blinking red) or in the operational state (steady red).
- **Working state:** In this state the LED indicates whether the drive is in an amplifier failure state (red) or is ready to enable the motor (green).

7.12 EtherCAT Communications Version

Fieldbus communications are industrial network protocols for real-time distributed control that allows connection of servo drives. The Gold Oboe supports the following EtherCAT fieldbus type industrial network protocol:

Fieldbus Type	Product Number
EtherCAT + Switches	G-OBOXX/YYVFXXXX(L)

7.12.1 EtherCAT IN/Ethernet Pinouts

Refer to section 12.2 in the MAN-G-Panel Mounted Drives Hardware manual available from <https://www.elmomc.com/download/4195/>. for more details.

Pin on EtherCAT IN	Signal	Function
1	EtherCAT_IN_TX+/Ethernet_TX+	EtherCAT in transmit+/Ethernet transmit +
2	EtherCAT_IN_TX-/Ethernet_TX-	EtherCAT in transmit-/Ethernet transmit -
3	EtherCAT_IN_RX+/Ethernet_RX+	EtherCAT in receive+/Ethernet receive +
4/5	N/A	
6	EtherCAT_IN_RX-/Ethernet_RX-	EtherCAT in receive-/Ethernet receive -
7/8	N/A	

Pin Positions

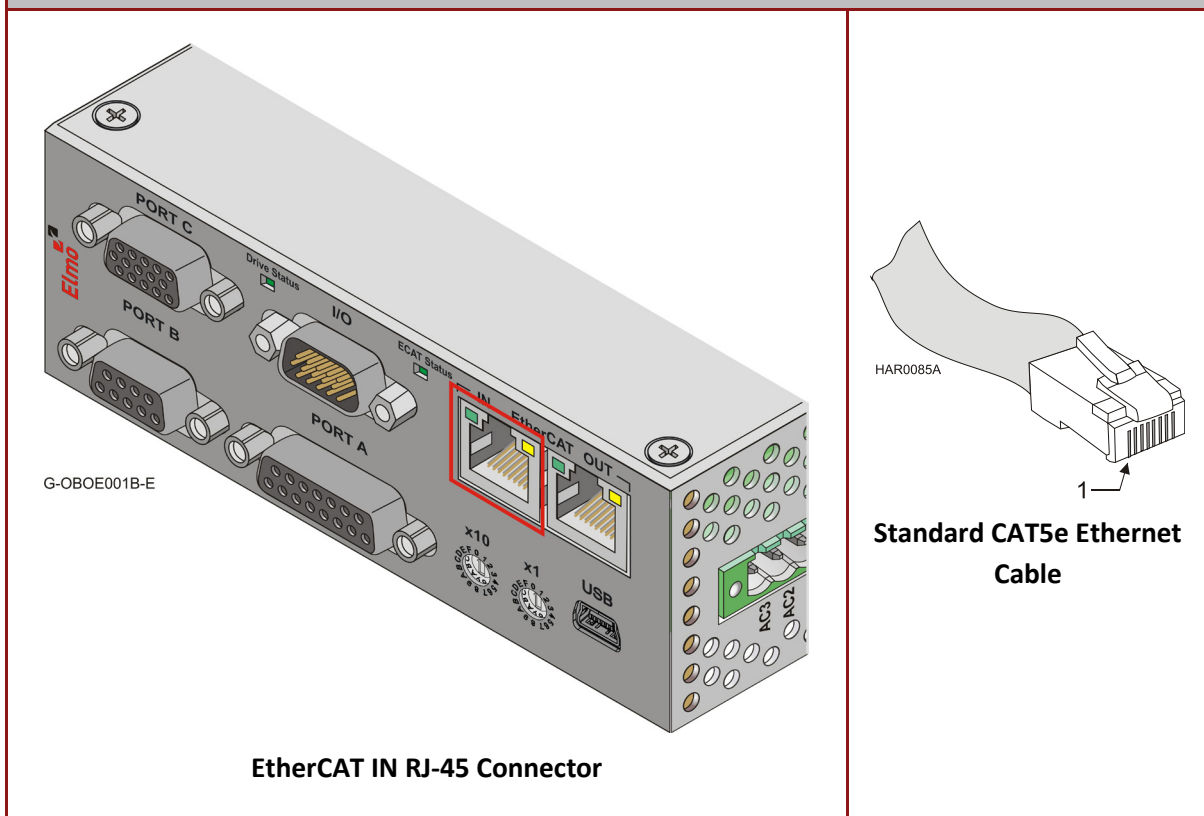


Table 11: EtherCAT In/Ethernet Connector Pin Assignments

7.12.2 EtherCAT OUT Pinouts

See Section 12.2 in the MAN-G-Panel Mounted Drives Hardware manual for the electrical diagram.

Pin on EtherCAT OUT	Signal	Function
1	EtherCAT_OUT_TX+	EtherCAT out transmit +
2	EtherCAT_OUT_TX-	EtherCAT out transmit -
3	EtherCAT_OUT_RX+	EtherCAT out receive +
4/5	N/A	
6	EtherCAT_OUT_RX-	EtherCAT out receive -
7/8	N/A	

Pin Positions

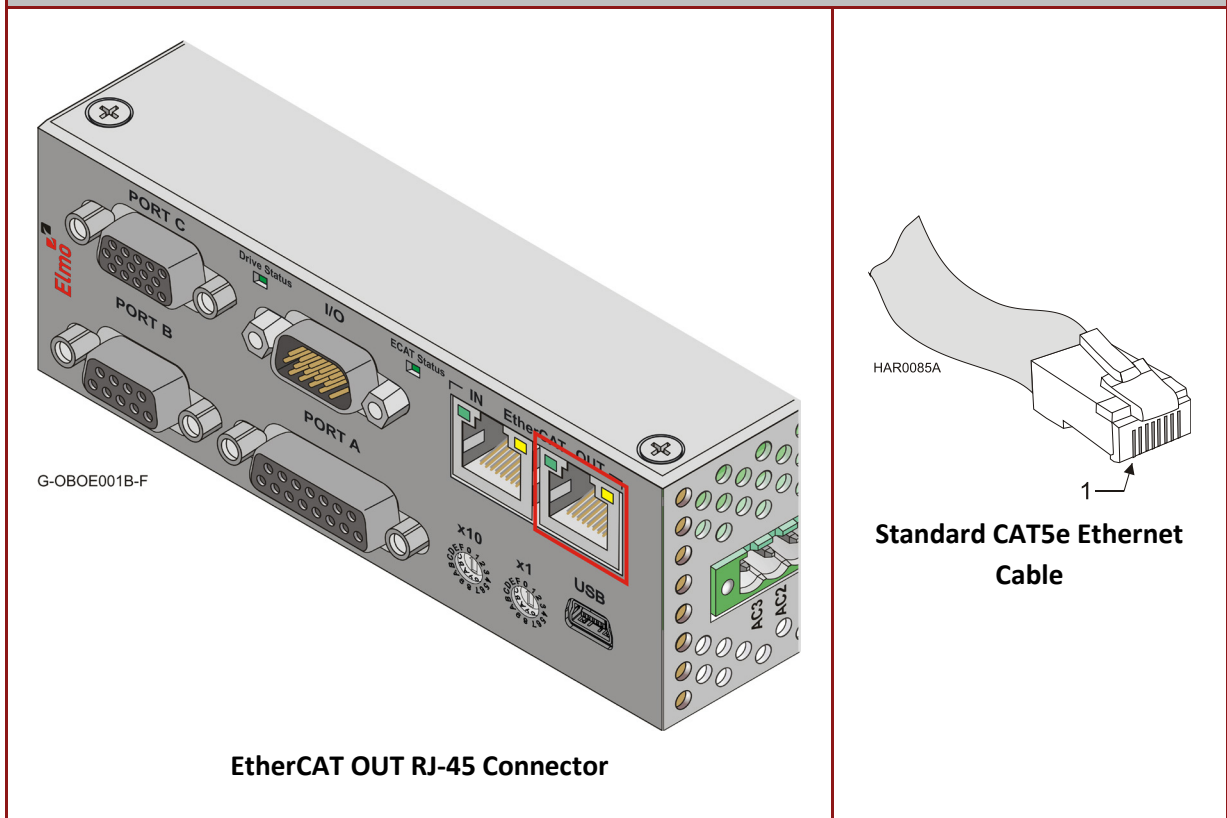


Table 12: EtherCAT Out Connector Pin Assignments

7.12.3 EtherCAT Wiring

Figure 36 describes the wiring diagram for the EtherCAT connections.

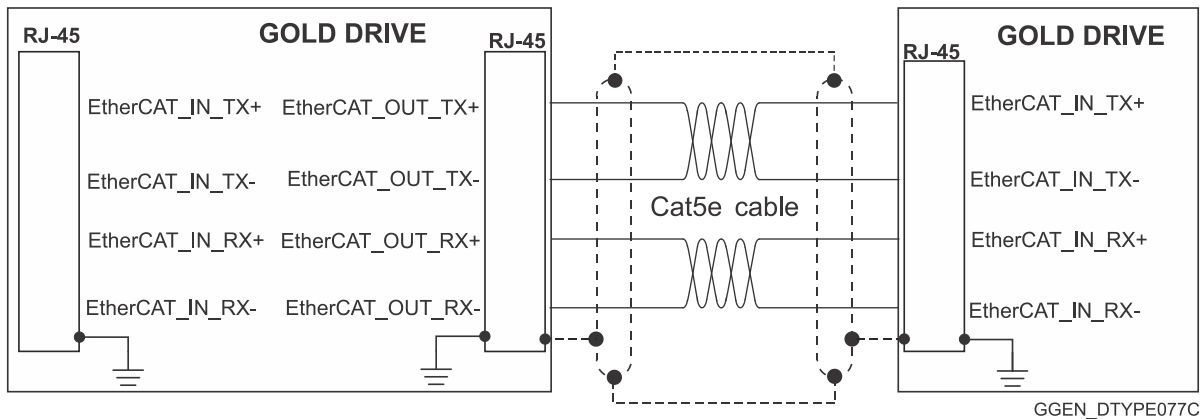


Figure 36: EtherCAT RJ-45 Connections

7.12.4 EtherCAT Link Indicators

The Gold Oboe can serve as an EtherCAT slave device. For this purpose it has two RJ-45 connectors, which are designated as EtherCAT In and EtherCAT Out. Each of these RJ-45 connectors has two status LEDs, which are shown in Figure 37.

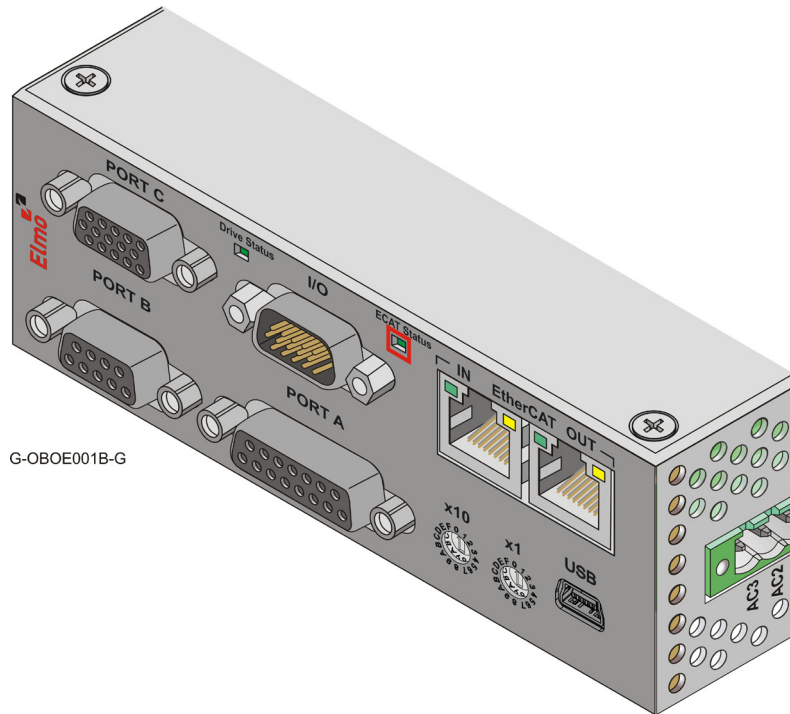


Figure 37: Ethernet Connector LEDs

The green LED is the link/activity indicator. It shows the state of the applicable physical link and the activity on that link. The amber LED is the speed indicator. It shows the speed of the connection on the Ethernet line. Refer to the section 12.2.2 in the MAN-G-Panel Mounted Drives Hardware manual available from <https://www.elmomc.com/download/4195/>.

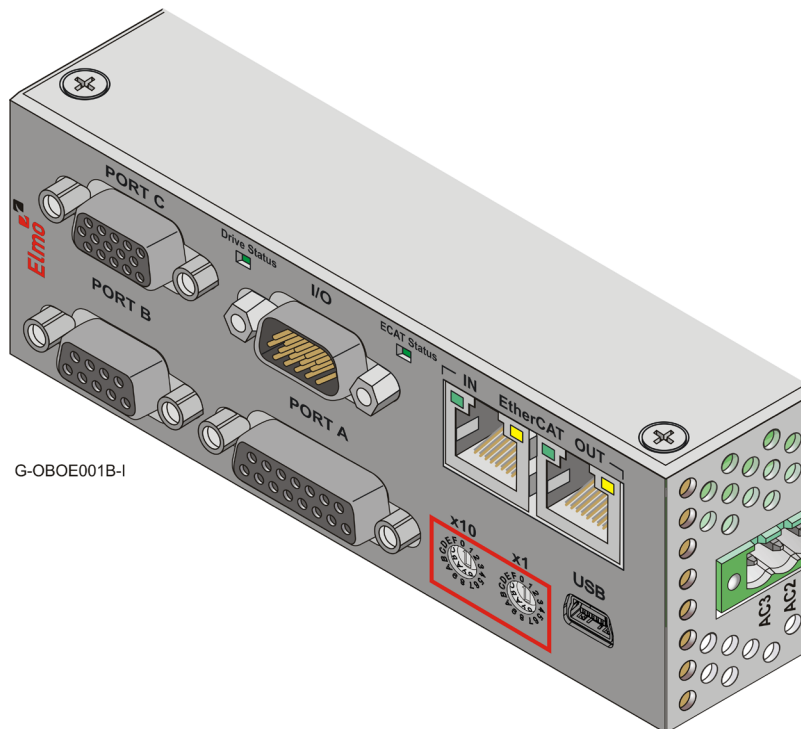


7.12.5 EtherCAT Status Indicator



The EtherCAT status indicator is a red/green dual LED. It combines run indication (when it is green) and error indication (when it is red) of the EtherCAT device.

7.12.6 EtherCAT Switches



Note: This option is only available in the G-OBOXX/YYYYFXXX type. The EtherCAT address of each axis is specified by the two EtherCAT switches. For full details, see Section 6.8.2.4 in the MAN-G-Panel Mounted Drives Hardware manual available from <https://www.elmomc.com/download/4195/>



7.13 CAN Communications Version

Fieldbus communications are industrial network protocols for real-time distributed control that allows connection of servo drives. The Gold Oboe supports the following CAN fieldbus type industrial network protocol.

Fieldbus Type	Product Number
CAN	G-OBOXX/YYYSXXXX(L)

See Section 12.4 in the MAN-G-Panel Mounted Drives Hardware manual for the electrical diagram.

Pin on CAN	Signal	Function
1	CAN_H	CAN_H bus line (dominant high)
2	CAN_L	CAN_L bus line (dominant low)
3	CAN_RET	CAN Return
4, 5	N/A	—
6	CAN_SHLD	Shield, connected to the RJ plug cover
7	CAN_RET	CAN Return
8	N/A	—

Pin Positions

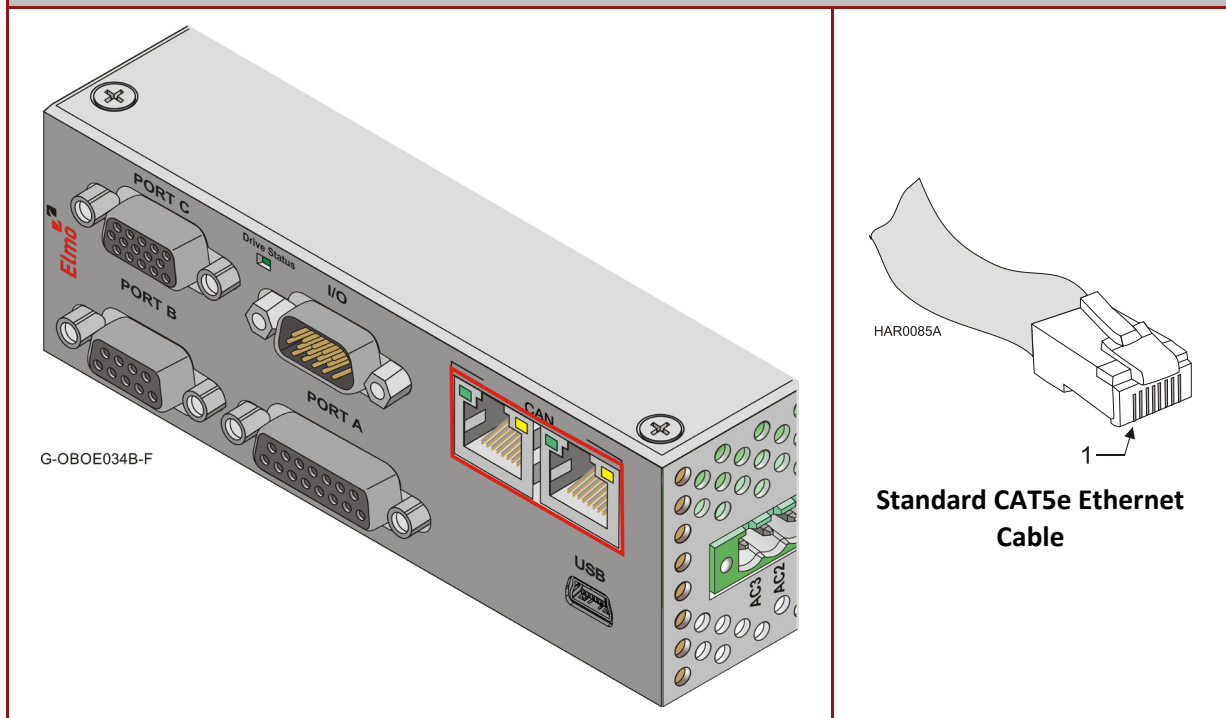


Table 13: CAN In/Out Connector Pin Assignments

7.13.1 CAN Wiring

Figure 38 describes the CAN wiring diagram below.

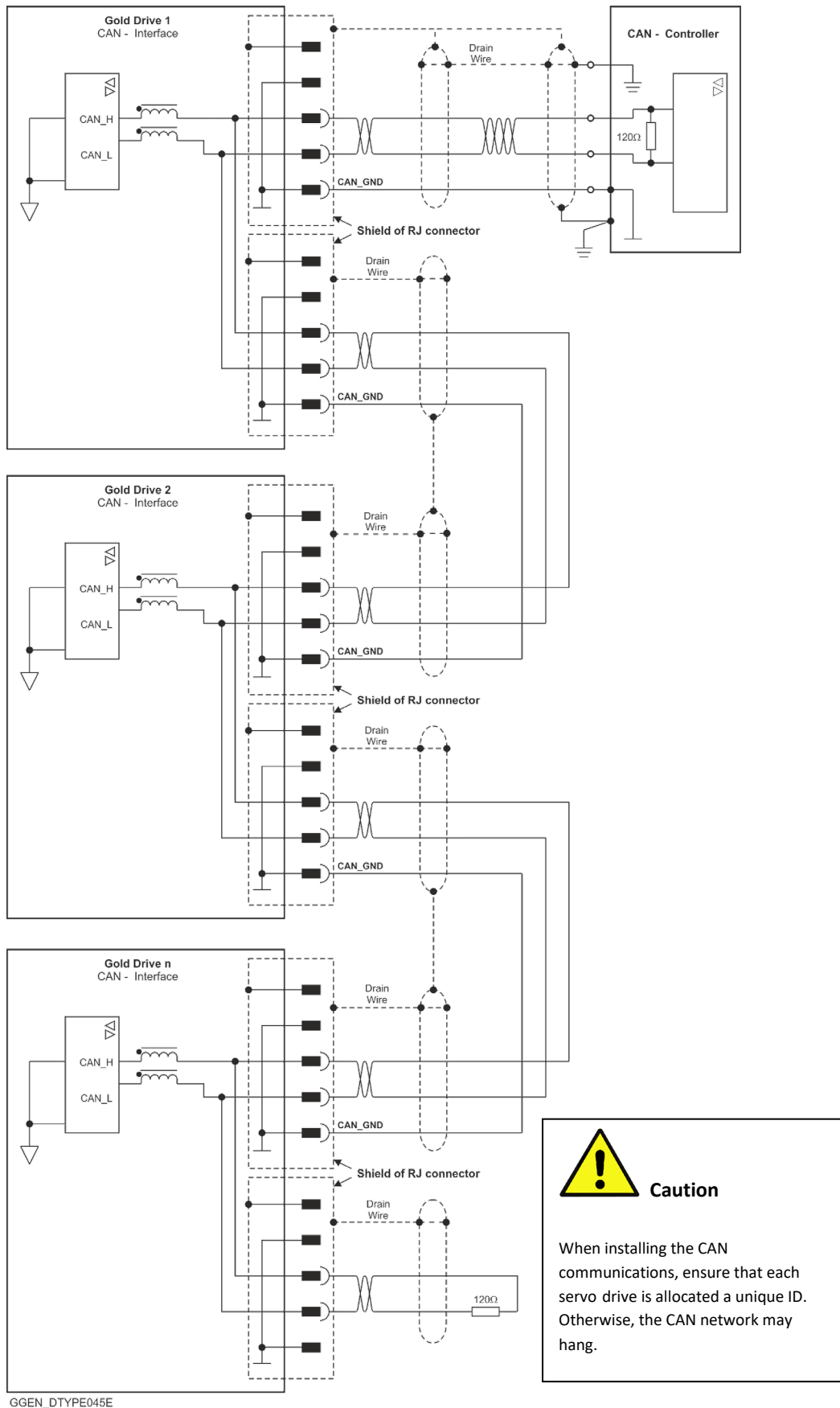


Figure 38: Gold Oboe Connection Diagram – CAN



Chapter 8: Gold Oboe Heat Dissipation

Typical Servo Drive operation is characterized by high power peaks with relatively low average power consumption. In most cases, the average power is less than 15% - 25% of the consumed peak power.

When delivering power to the motor, the Servo Drive creates heat that must be carefully controlled to enable smooth and reliable enduring operation.

Proper selection of the heat dissipation device can contribute significantly to the efficiency of the overall application, space and costs savings.

8.1 Power Dissipation

The integral heat sink of the Gold Oboe can dissipate around 18W – 22W, depending on the mounting method. Due to the nature of servo drive operation, whose high power peaks with very low average power consumption, mounting the Gold Oboe on an external heat dissipating device can be very efficient and beneficial.

Chapter 9: Powering Up

After the Gold Oboe is connected to its device, it is ready to be powered up.



Caution:

Before applying power, ensure that the AC supply is within the specified range.

9.1 Initializing the System

After the Gold Oboe has been connected and mounted, the system must be set up and initialized. This is accomplished using the *EASII*, Elmo's Windows-based software application. Install the application and then perform setup and initialization according to the directions in the *EASII User Manual*.



Chapter 10: Gold Oboe Dimensions

This chapter provides detailed technical dimensions regarding the Gold Oboe.

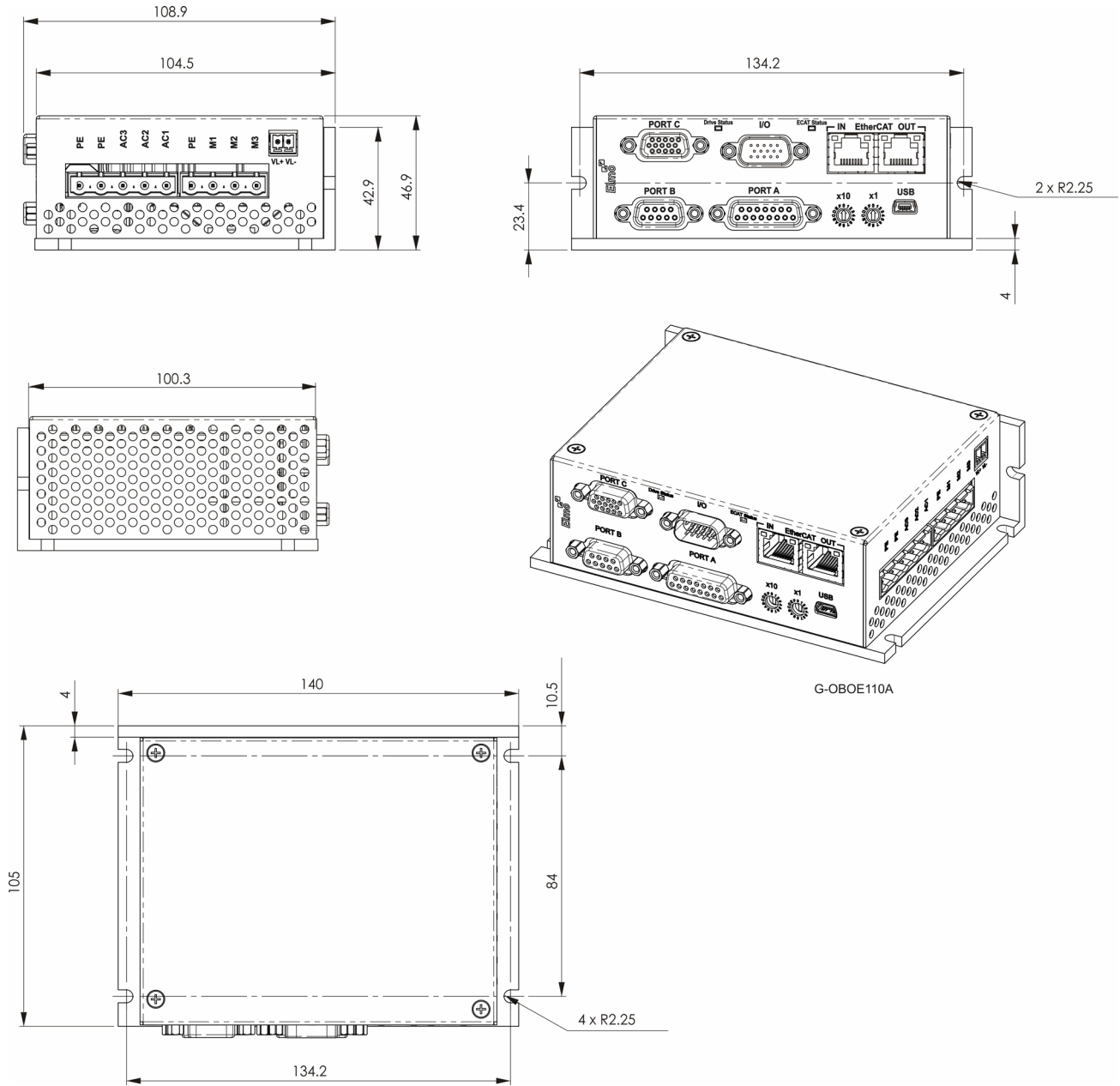
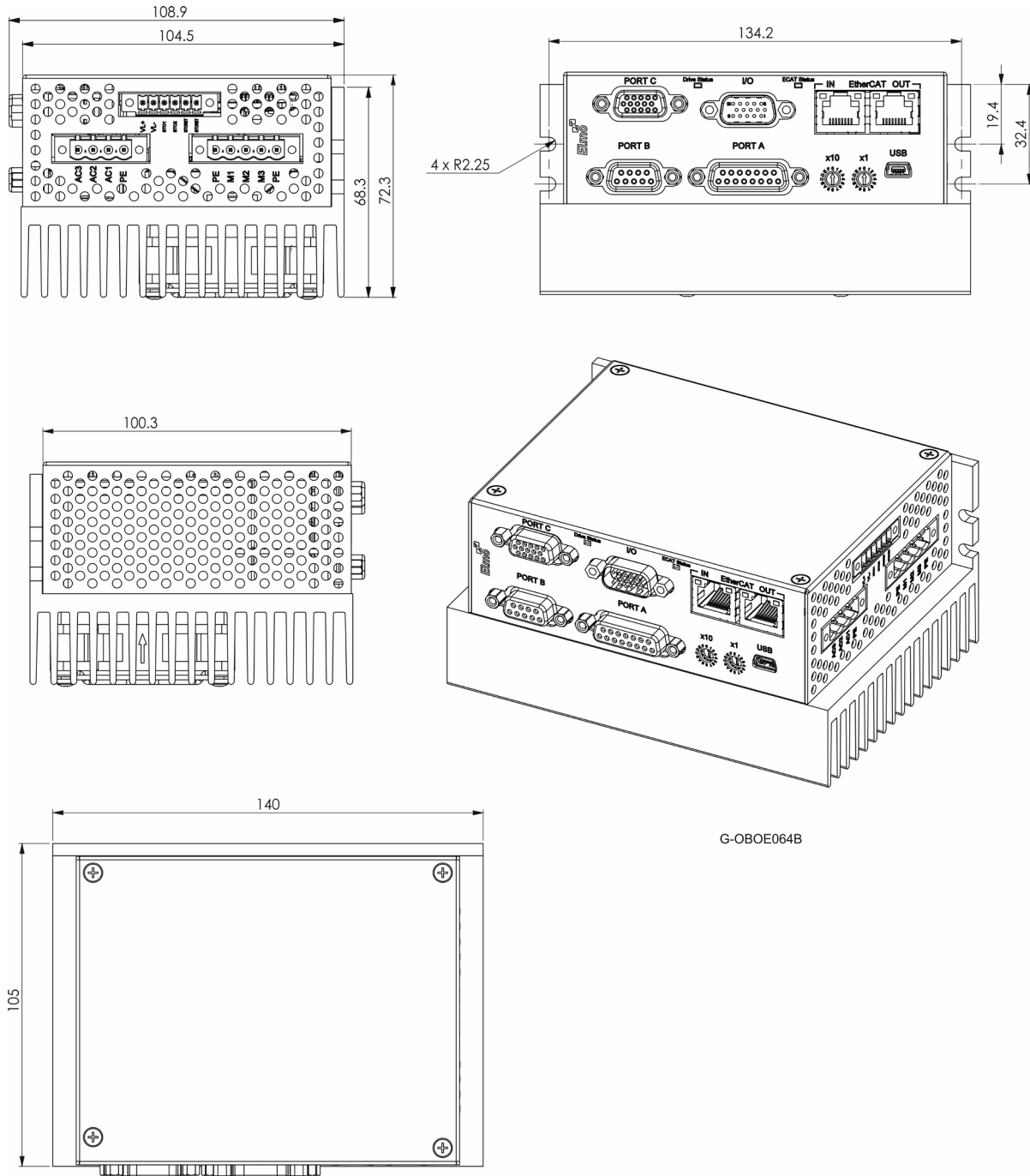


Figure 39: Gold Oboe with L-Shaped Heat-Sink



G-OBOE064B

Figure 40: Gold Oboe with Fins Heat-Sink

